

**İMAJ TEKNİK**  
ELEKTRİK ELEKTRONİK MALZ. SAN. VE TİC. LTD. ŞTİ.

# ABSOLUTE

## APPLICATION

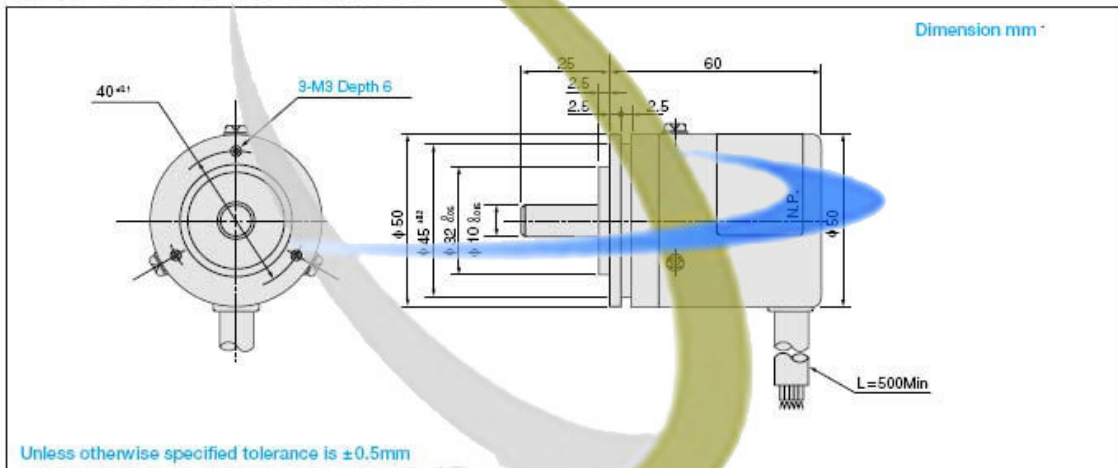
- Measuring Equipment
- Machine Tools
- Robots

## FEATURES

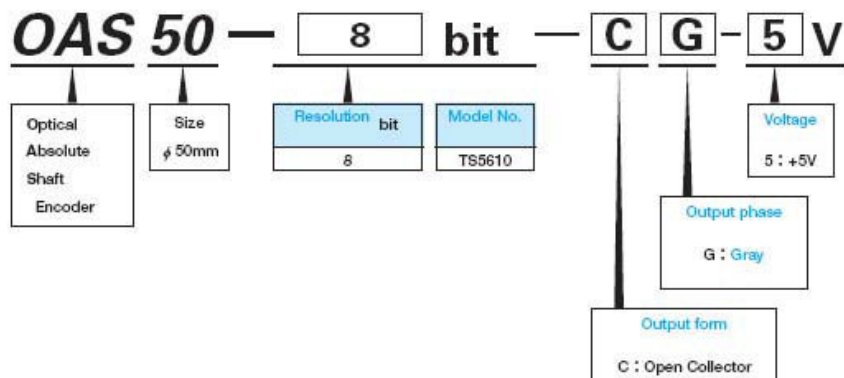
- Small and Light weight
- Rigid Bearing
- Low Cost



TS5610  
**OAS50 Series**



● DESIGNATE THE NAME OF FUNCTION WHEN ORDERING



## SPECIFICATIONS

Electrical Spec.		Mechanical Spec.	
Resolution	8 bit	Starting Torque	$9.8 \times 10^{-2} \text{ N} \cdot \text{m}$ (1kgf · cm Max)
Output Phase	Gray Code	Moment of Inertia	$3.0 \times 10^{-6} \text{ kg} \cdot \text{m}^2$ (30g · cm <sup>2</sup> Max)
Supply Voltage	DC +5V ± 5%	Maximum Rotating Speed	$3,000 \text{ min}^{-1}$ (3,000rpm)
Consumption Current	120mA Max	Allowable Shaft Load	Radial 96N (10kgf Max)
Output Form	Open Collector		Axial 49N (5kgf Max)
		Operating Temp. Range	-10~+70°C
Maximum Response Frequency	10kHz	Storage Temp. Range	-20~+85°C
Rise time, Fall time		Protective Construction	IP = 50
		Vibration	$49 \text{ m/s}^2$ (5G)
		Shock	$490 \text{ m/s}^2$ (50G)
		Mass	0.5kg Max

## CIRCUIT AT OUTPUT STAGE (EXAMPLE)

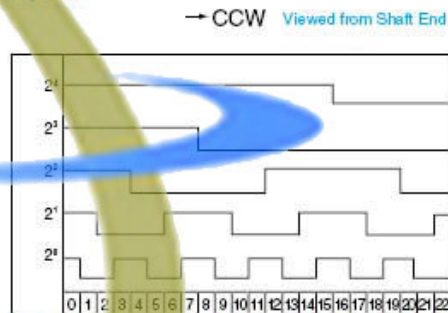
### Open Collector Output



※Note that transfer distance depends much on ambient condition.

## OUTPUT PHASE SHIFT

### Gray Code



※The logic shall be negative and above figures shall show voltage wave-forms

## CONNECTION TABLE

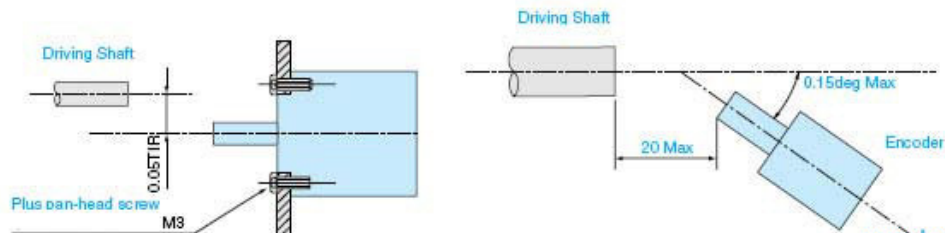
(Confirm the function for output signals listed on the output signal table.)

Lead color	Function	Lead color	Function	Lead color	Function
BROWN	1 ST Digit (MSB) 2 <sup>7</sup>	GREEN	5 TH Digit 2 <sup>3</sup>	BLACK	GND
RED	2 ND Digit 2 <sup>6</sup>	BLUE	6 TH Digit 2 <sup>2</sup>	WHITE	DC+5V
ORANGE	3 RD Digit 2 <sup>5</sup>	VIOLET	7 TH Digit 2 <sup>1</sup>	---	---
YELLOW	4 TH Digit 2 <sup>4</sup>	GRAY	8 TH Digit (LSB) 2 <sup>0</sup>	---	---

## ATTACHING WAY (EXAMPLE)

Note that attaching alignment can be changed by the couplings when coupled to the driving shaft.

Dimension mm



İmaj Teknik Elektrik Elektronik San. ve Tic. Ltd. Şti.

EMEKYEMEZ MAH.TUTSAK SOK. NO: 16/13-14-15

KARAKOY/İSTANBUL  
TURKEY

Telefon : +90 212 235 9535 / 36  
Fax : +90 212 235 9537

www.imajteknik.com  
www.imajteknik.com.tr