



ABSOLUTE

APPLICATION

- Detection of press crank angle

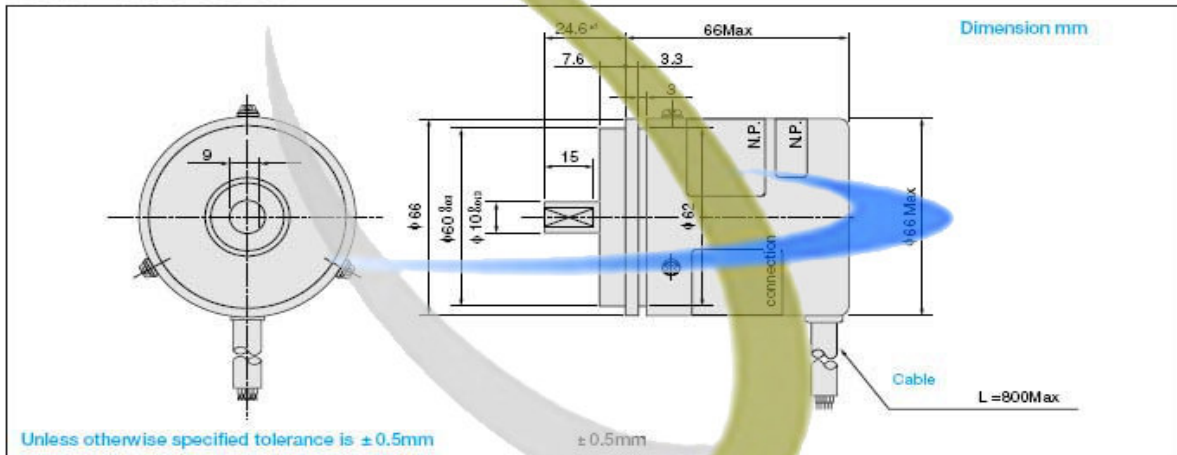
FEATURES

- Vibration-proof
- Shock-proof
- Water Drop proof
- With BUSY signal BUSY

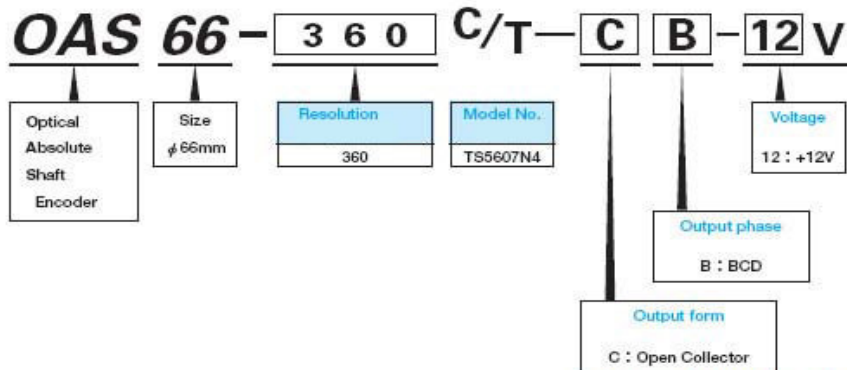


TS5607

OAS66



• DESIGNATE THE NAME OF FUNCTION WHEN ORDERING

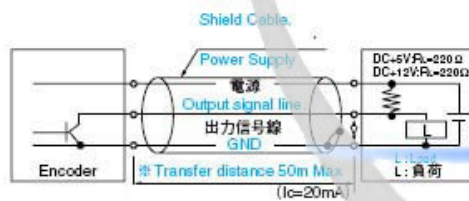


SPECIFICATIONS

Electrical Spec.		Mechanical Spec.	
Resolution	0 ~ 359C/T	Starting Torque	$9.8 \times 10^{-2} \text{ N} \cdot \text{m}$ (1kgf · cm Max)
Output Phase	BCD Code BCDコード	Moment of Inertia	$3.0 \times 10^{-6} \text{ kg} \cdot \text{m}^2$ (30g · cm ² Max)
Supply Voltage	DC +12V ± 10%	Maximum Rotating Speed	$5,000 \text{ min}^{-1}$ (5,000rpm)
Consumption Current	300mA Max	Allowable Shaft Load	Radial 98N (10kgf Max)
Output Form	Open Collector		Axial 49N (5kgf Max)
		Operating Temp. Range	0 ~ +50°C
Maximum Response Frequency	2.5kHz	Storage Temp. Range	-10 ~ +70°C
Rise time, Fall time	1.5 μ sec Max	Protective Construction	IP = 54
		Vibration	49 m/s^2 (5G); $.98 \text{ m/s}^2$ (10G) 5~500Hz
		Shock	490 m/s^2 (50G) 11m sec.
		Mass	0.6kg Max

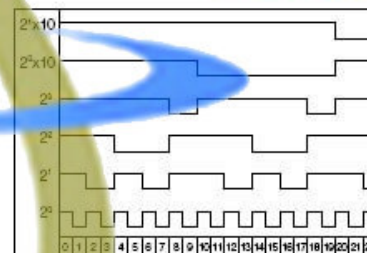
CIRCUIT AT OUTPUT STAGE (EXAMPLE) OUTPUT PHASE SHIFT

Open Collector Output



※Note that transfer distance depends much on ambient condition.

→ CCW Viewed from Shaft End



※The logic shall be negative and above figure shall show a voltage wave-form

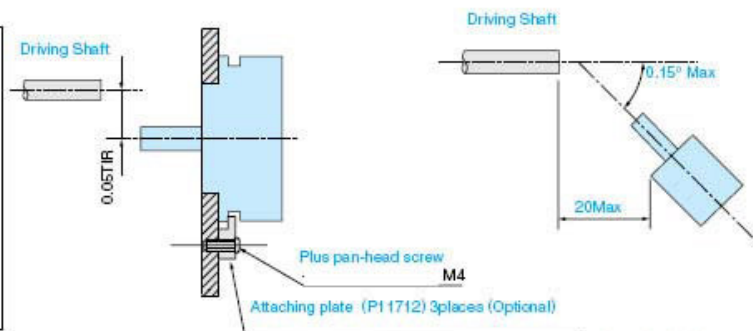
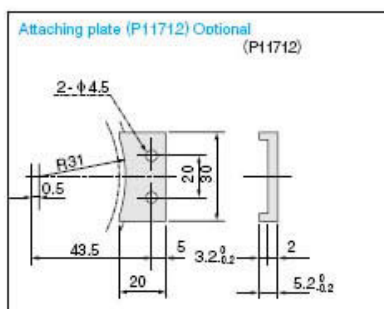
CONNECTION TABLE

Lead color	Function	Lead color	Function	Lead color	Function
BROWN	B2 (x200) (MSB)	BLUE	A1 (x10)	WHITE/VIOLET	DC+12V
RED	A2 (x100)	VIOLET	D0 (x8)	WHITE/GRAY	GND
ORANGE	D1 (x80)	GRAY	C0 (x4)	WHITE/GRAY	GND
YELLOW	C1 (x40)	WHITE	B0 (x2)	BLACK	Reverse Count
GREEN	B1 (x20)	WHITE/BLACK	A0 (x1) (LSB)	WHITE/BROWN	Busy Signal

ATTACHING WAY (EXAMPLE)

Note that attaching alignment can be changed by the couplings when coupled to the driving shaft.

Dimension mm mm



www.imajteknik.com


İmaj Teknik Elektrik Elektronik San. ve Tic. Ltd. Şti.
EMEKYEMEZ MAH.TUTSAK SOK. NO: 16/13-14-15
KARAKOY/İSTANBUL
TURKEY
 Telefon : +90 212 235 9535 / 36
 Fax : +90 212 235 9537
www.imajteknik.com
www.imajteknik.com.tr