



İMAJ TEKNİK
ELEKTRİK ELEKTRONİK MALZ. SAN. VE TİC. LTD. ŞTİ



hohner

HOHNER AUTOMAZIONE SRL

Series TS

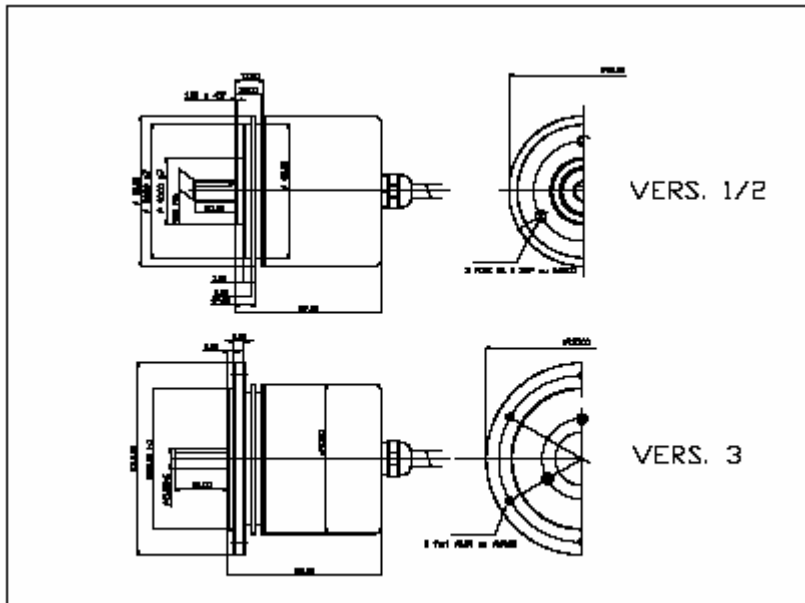
Absolute single turn shaft encoder
high settlement ($\varnothing 90\text{mm}$)

Mechanics Data

Cover:	Lacquered aluminium
Body:	Aluminium
Solid shaft:	Stainless steel
Bearings:	2 ballraces
Weight:	Approx. 600gr.
Protection:	IP65
Rpm:	6000 Max.
Torque:	5Ncm
Inertia:	100gcm ²
Shaft loading:	Axial 100N - Radial 100N (the value decrease when the number of pulses increase)



Dimensions in mm.



Series TS

Electronics Data

Power supply: from 5 to 24V depends on the electronics circuit
 Current consumption: 40/80mA depends on the electronics circuit
 Permissible load: 40mA
 Frequency: 50KHz (standard in LSB)
 Protections: Against short circuit, reversal polarity
 Operating Temp.: -20/+60°C

Ordering code

Series **T S** - * 3 * * * * / **Pulses** (Max 8.192)

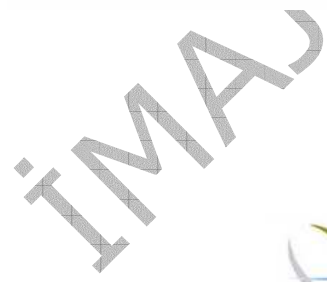
See page 4

Version	Code/Outputs	Connections	Connector	Options
1 = Shaft Ø10mm Flange Ø 90mm	1 = Gray/Binary NPN 11/24V 2 = Gray/Binary PP 11/24V	1 = Cable 2 = 9426	A = Axial R = Radial	0 = None 1 = Latch 2 = Reset 3 = Preset 4 = Tristate 5 = Static Strobe 6 = Dynamic Strobe 7 = Parity odd 8 = Parity even 9 = Gray Excess Z = zero settings
2 = Shaft Ø12mm Flange Ø 90mm	3 = Gray/Binary TTL 5V 4 = Gray/Binary OC 11/24V	3 = 9413 4 = 9428		
3 = Shaft Ø11mm Flange Ø115mm	5 = BCD NPN 11/24V 6 = BCD PP 11/24V 7 = BCD TTL 5V 8 = BCD OC 11/24V	5 = 9432		

Connections

Code: Gray/Binary	0 Volt	+ Volt	0 2	1 2	2 2	3 2	4 2	5 2	6 2	7 2	8 2	9 2	10 2	11 2	G/B	DIR	
Code: BCD	0 Volt	+ Volt	0				1				2				M	DIR	
Connector: 9413 - 9426 - 9428 - 9432	P1	P2	P3	P4	P5	P6	P7	P8	P9	P10	P11	P12	P13	P14	P15	P16	
Cable	B L A C K	B L U E	B R O W N	B E I G E	G R E E N	Y E L L O W	P I N K	V I O L E T	O R A N G E	T R A N S P A R E	W H I T E	W H I T E	G R E E N	V I O L E T	Y E L L O W	G R E E N	Y E L L O W

Legend connections:
 M = optional outputs
 DIR <-> = is the signal direction: clockwise or anticlockwise
 Clockwise standard
 Anticlockwise connect DIR <-> to 0Volt
 Gray code standard. For Binary code connect pin G/B to 0Volt



İmaj Teknik Elektrik Elektronik San. ve Tic. Ltd. Şti.
 EMEKYEMEZ MAH.TUTSAK SOK. NO: 16/13-14-15
 KARAKOY/İSTANBUL
 TURKEY

Telefon : +90 212 235 9535 / 36
 Fax : +90 212 235 9537
www.imajteknik.com
www.imajteknik.com.tr