



**İMAJ TEKNİK**  
ELEKTRİK ELEKTRONİK MALZ. SAN. VE TİC. LTD. ŞTİ



**hohner**

HOHNER AUTOMAZIONE SRL

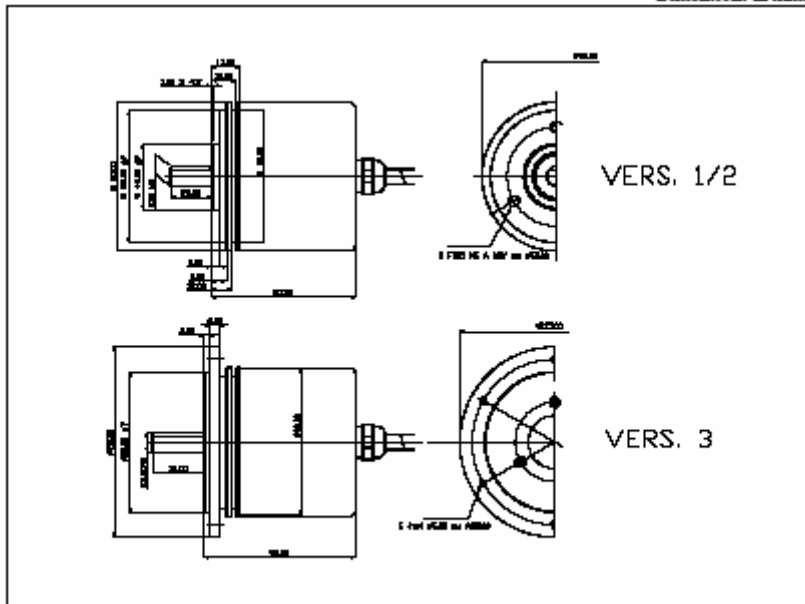
**Series  
TR**

Incremental shaft encoder,  
high settlement

### *Mechanics Data*

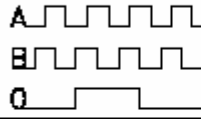

Cover:	Lacquered aluminium
Body:	Aluminium
Solid shaft:	Stainless steel
Bearings:	2 ballraces
Weight:	Approx. 600gr.
Protection:	IP65
Rpm:	6000 Max
Torque:	5Ncm
Inertia:	100gcm <sup>2</sup>
Shaft loading:	Axial 100N - Radial 100N (the value decrease when the number of pulses increase)

Dimensions in mm.



## Series TR

## Electronics Data

Output signals (cw) 

Power supply: from 5 to 24V depends on the electronics circuit  
 Current consumption: 40/80mA depends on the electronics circuit  
 Permissible load: 40mA  
 Frequency: 600KHz depends on the electronics circuit  
 Protections: Against short circuit, reversal polarity  
 Operating Temp.: -20/+60°C (-30/+100°C) on request

## Ordering data

Series	T	R	-	*	3	*	*	*	*	/	Pulses (Max 10.000)
<b>Version</b>				<b>Outputs</b>		<b>Connections</b>		<b>Order Connector</b>			<b>Options</b>
1 = Sha. Ø 10mm Fla. Ø 90mm	2 = AB Fla. Ø 90mm	3 = AB0		PP11/28V	1 = Cable						0 = None
2 = Sha. Ø 12mm Fla. Ø 90mm	N = AB+AB	P = AB0+AB0		PP11/28V	2 = 9414			A = Axial			Z = Synchronised zero Pulse to 180° only for Line Driver
3 = Alb Ø 11mm Fla. Ø 115mm	B = AB	C = AB0		PP11/28V	3 = 9416			R = Radial			W = Synchronised zero Pulse to 90° only for Line Driver
	G = AB	H = AB0		OC11/28V	4 = 9418						A = Special connections
	J = AB+AB	K = AB0+AB0		NPN 11/28V	5 = 9419						Y = Power supply 5/12V for output NPN/OC/PP
	L = AB0+AB0			LD5V							
	M = AB+AB			LD5/12V							
	N = AB0+AB0			LD5/12V							
	O = AB+AB			LD15/24V(out 12V)							
	P = AB0+AB0			LD15/24V(out 12V)							
	Q = AB0+AB0			LD15/24 (out 5V)							

## Connections

	0 Volt	+ Volt	A	B	$\bar{A}$	$\bar{B}$	0	$\bar{0}$
Cable 5 Way	White	Brown	Green	Yellow			Gray	
Cable 8 Way	Black	Blue	Brown	Beige	Green	Yellow	Pink	Violet
Connector 9414	Pin1	Pin2	Pin3	Pin4			Pin5	
Connector 9416	Pin1	Pin2	Pin3	Pin4	Pin5	Pin6	Pin7	Pin8
Connector 9418	PinA	PinB	PinC	PinD	PinE	PinF	PinG	
Connector 9419	PinA	PinB	PinC	PinD	PinE	PinF	PinG	PinH

İMAJ



İmaj Teknik Elektrik Elektronik San. ve Tic. Ltd. Şti.

EMEKYEMEZ MAH.TUTSAK SOK. NO: 16/13-14-15  
 KARAKOY/İSTANBUL  
 TURKEY

Telefon : +90 212 235 9535 / 36  
 Fax : +90 212 235 9537

www.imajteknik.com  
 www.imajteknik.com.tr