

İMAJ TEKNİK
ELEKTRİK ELEKTRONİK MALZ. SAN. VE TİC. LTD. ŞTİ

hohner

HOHNER AUTOMAZIONE SRL

Series MM

**Absolute mechanic multiturn shaft encoder
24bit (ø65-ø90mm)**

Series TM

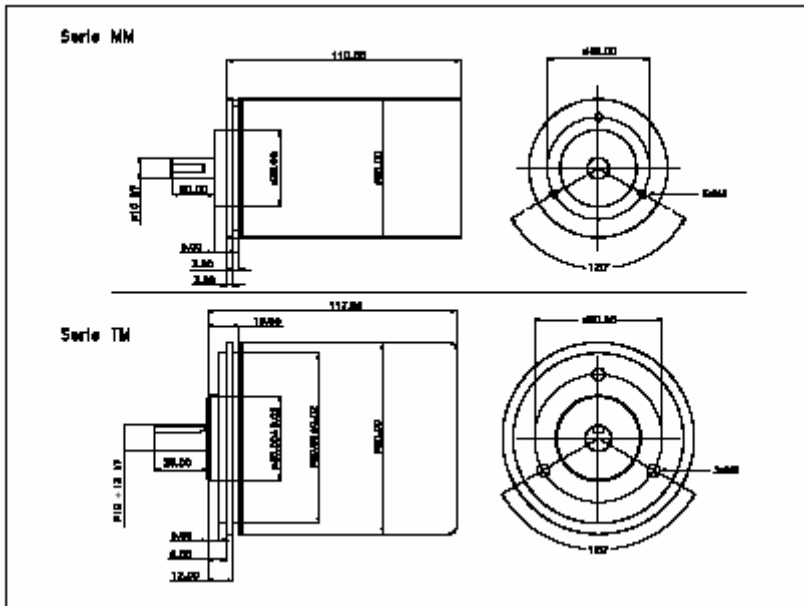
Utilise a very modern technology, a particular code-reading method allows to eliminate every mechanic action of gears to assure a real absolute value of the recording. Furthermore it permits to choose the code and the increment direction having in basic configuration as gray code as binary code as up/down discriminate.

Mechanics Data

| | |
|----------------|--|
| Cover: | Lacquered aluminium |
| Body: | Aluminium |
| Solid shaft: | Stainless steel |
| Bearings: | 2 ballraces |
| Weight: | Approx. 500gr. (TM 800gr) |
| Protection: | IP65 |
| Rpm: | 3000 Max |
| Torque: | 5Ncm |
| Inertia: | 100gcm ² (270gcm ² TM) |
| Shaft loading: | Axial 50N - Radial 50N |



Dimensions in mm.



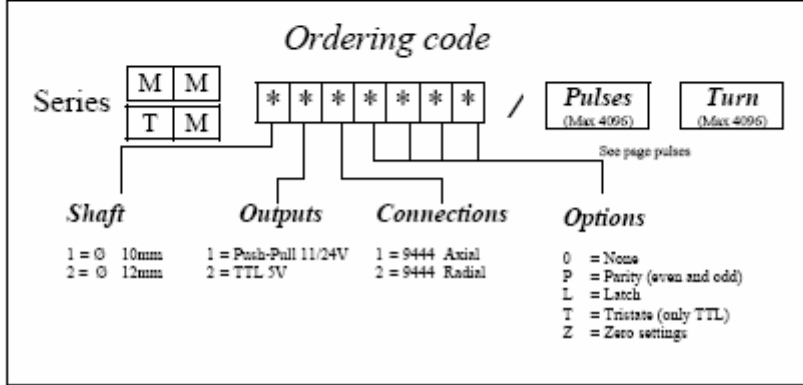
İMAJ

İSTİ

Series MM
Series TM

Electronics Data

Power supply: from 5 to 24V depends on the electronics circuit
 Current consumption: 150/300mA depends on the electronics circuit
 Permissible load: 20mA
 Frequency: 10KHz (standard in LSB)
 Protections: Against short circuit, reversal polarity
 Operating Temp.: 0/+50°C



| Connector 9444 | 0 | + | 0 | 1 | 2 | 3 | 4 | 5 | 6 | 7 | 8 | 9 | 10 |
|----------------|-------------|------|---------|-----|-------------|-----|------------|-----|-------|-----|-----------|-----|--------|
| | Volt | Volt | 2 | 2 | 2 | 2 | 2 | 2 | 2 | 2 | 2 | 2 | 2 |
| | P1 | P2 | P3 | P4 | P5 | P6 | P7 | P8 | P9 | P10 | P11 | P12 | P13 |
| | 11 | 12 | 13 | 14 | 15 | 16 | 17 | 18 | 19 | 20 | 21 | 22 | 23 |
| | 2 | 2 | 2 | 2 | 2 | 2 | 2 | 2 | 2 | 2 | 2 | 2 | 2 |
| | P14 | P15 | P16 | P17 | P18 | P19 | P20 | P21 | P22 | P23 | P24 | P25 | P26 |
| | GRAY BINARY | | UP DOWN | | PARITY EVEN | | PARITY ODD | | LATCH | | TRI-STATE | | STROBE |
| | P38 | | P39 | | P40 | | P41 | | P42 | | P43 | | P44 |

Encoder inputs are internally connected to logical "ONE".

Standard configuration:

- Output code GRAY
- increase (UP) clockwise
- High impedance output (TRI-STATE active)
- LATCH deactivate

Connecting input to logical "ZERO" the configuration change:

- Output code binary
- Decrease (UP) anticlockwise
- True output (TRI-STATE) deactivate
- LATCH active

İMAJ



İmaj Teknik Elektrik Elektronik San. ve Tic. Ltd. Şti.

EMEKYEMEZ MAH.TUTSAK SOK. NO: 16/13-14-15
KARAKOY/İSTANBUL
TURKEY

Telefon : +90 212 235 9535 / 36
Fax : +90 212 235 9537

www.imajteknik.com
www.imajteknik.com.tr