



**İMAJ TEKNİK**  
ELEKTRİK ELEKTRONİK MALZ. SAN. VE TİC. LTD. ŞTİ

**hohner**

HOHNER AUTOMAZIONE SRL

**Series  
S**

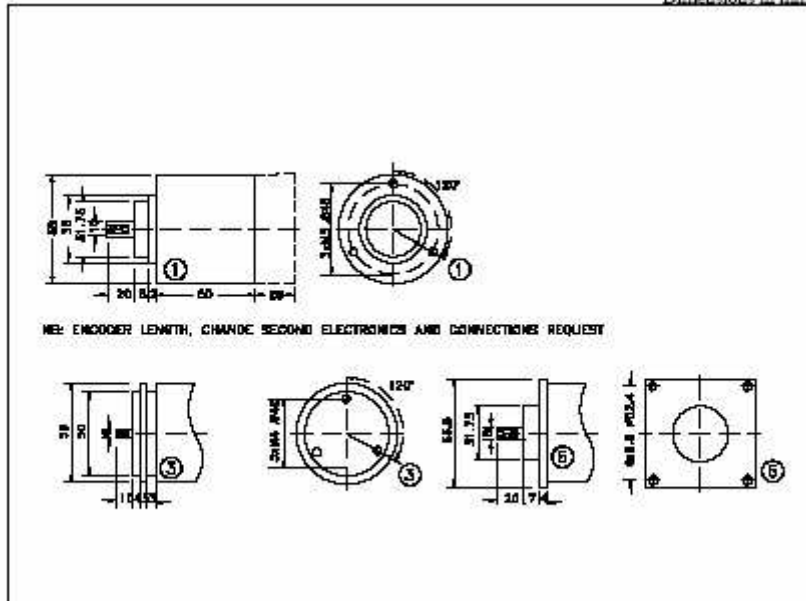
Absolute shaft encoder for automatic  
machine-tools and robotic- engineering  
( $\phi 58\text{mm}$ )

**Mechanics Data**

Cover:	Lacquered aluminium
Body:	Aluminium
Solid shaft:	Stainless steel
Bearings:	2, ballraces
Weight:	Approx. 300gr.
Protection:	IP65
Rpm:	6000 Max
Torque:	5Ncm
Inertia:	100gcm <sup>2</sup>
Shaft loading:	Axial 100N - Radial 100N



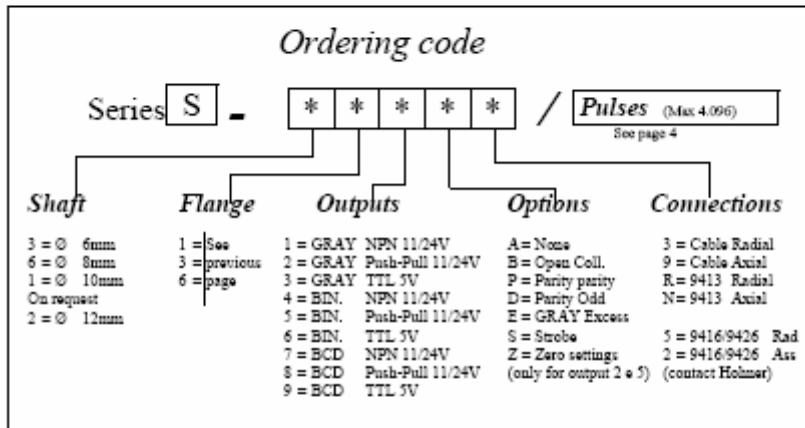
Dimensions in mm



**Series S**

**Electronics Data**

Power supply: from 5 to 24V depends on the electronics circuit  
 Current consumption: 40/80mA depends on the electronics circuit  
 Permissible load: 40mA  
 Frequency: 50KHz (standard in LSB)  
 Protections: Against short circuit, reversal polarity  
 Operating Temp.: -20/+60°C



**Connections**

	0 Volt	+ Volt	2 <sup>0</sup>	2 <sup>1</sup>	2 <sup>2</sup>	2 <sup>3</sup>	2 <sup>4</sup>	2 <sup>5</sup>	2 <sup>6</sup>	2 <sup>7</sup>	2 <sup>8</sup>	2 <sup>9</sup>	2 <sup>10</sup>	2 <sup>11</sup>	M	DIR	
Connector 9416 12p	P1	P2	P3	P4	P5	P6	P7	P8	P9	P10	P11					P12	
Conn 9416 16p-9413	P1	P2	P3	P4	P5	P6	P7	P8	P9	P10	P11	P12	P13	P14	P15	P16	
Cable	B L A C K	B L U E	B R O W N	B E I G E	G R E E N	Y E L L O W	P I N K	V I O L E T	O R A N G E	T R A N S P A R	W H I T E	W H I T E	G R E E N	V I O L E T	Y E L L O W	Y E L L O W	Y E L L O W

Legend connections:  
 M = optional outputs  
 DIR <-> = is the signal direction: clockwise or anticlockwise  
 Clockwise standard  
 Anticlockwise connect DIR <-> to 0Volt.



İmaj Teknik Elektrik Elektronik San. ve Tic. Ltd. Şti.

EMEKYEMEZ MAH.TUTSAK SOK. NO: 16/13-14-15  
 KARAKOY/ISTANBUL  
 TURKEY

Telefon : +90 212 235 9535 / 36  
 Fax : +90 212 235 9537

www.imajteknik.com  
 www.imajteknik.com.tr