



**İMAJ TEKNİK**  
ELEKTRİK ELEKTRONİK MALZ. SAN. VE TİC. LTD. ŞTİ



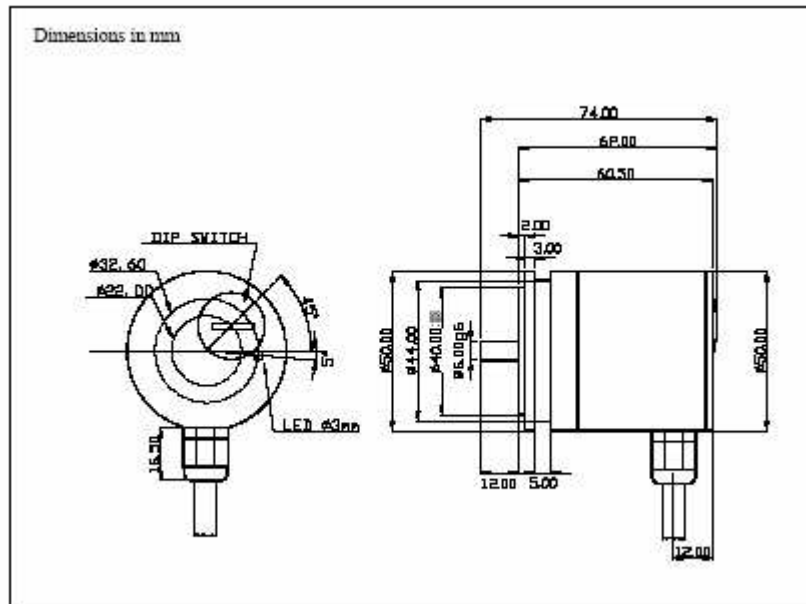
HOHNER AUTOMAZIONE SRL

## Series R

Absolute shaft encoder single turn  
( $\varnothing 50\text{mm}$ ) with selection resolution right to  
application on turret tool holder.

### Mechanics Data

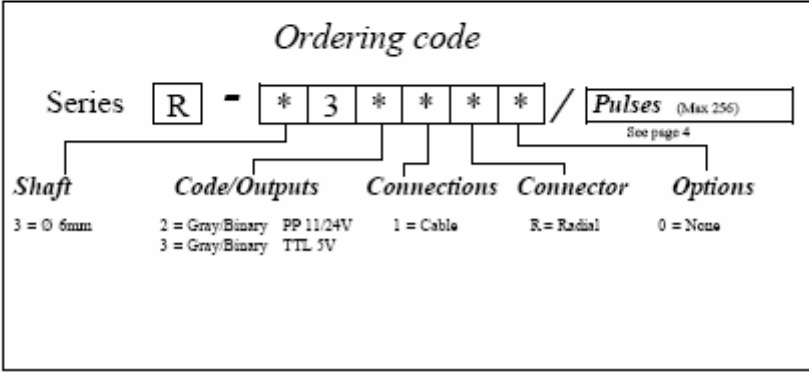
Cover :	Aluminium
Body :	Aluminium
Solid shaft:	Stainless steel
Bearings:	2, ball races
Weight:	250gr.
Protection:	IP65
Rpm:	6000 Max
Torque:	5Ncm
Inertia:	100gcm <sup>2</sup>
Shaft loading:	Axial 100N - Radial 100N (the value decrease when the number of pulses increase)



**Series R**

**Electronics Data**

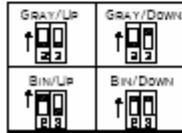
Power supply: from 5 to 24V depends on the electronics circuit  
 Current consumption: 40/80mA depends on the electronics circuit  
 Permissible load: 40mA  
 Frequency: 50KHz (standard in LSB)  
 Protections: Against short circuit, reversal polarity  
 Operating Temp.: -20/+60°C



**Connections**

Code: Gray/Binary	0 Volt	+ Volt	0	1	2	3	4	5	6	7
<b>Cable</b>	B L A C K	B L U E	B R O W N	B E I G E	G R E E N	Y E L L O W	P I N K	V I O L E T	O R A N G E	T R A N S P A R

The U/D and G/B option can be selected through the Dip-Switch accessible through the advanced stopper.



İMAJ

**İmaj Teknik Elektrik Elektronik San. ve Tic. Ltd. Şti.**  
 EMEKYEMEZ MAH.TUTSAK SOK. NO: 16/13-14-15  
 KARAKOY/İSTANBUL  
 TURKEY

Telefon : +90 212 235 9535 / 36      www.imajteknik.com  
 Fax : +90 212 235 9537              www.imajteknik.com.tr