



**İMAJ TEKNİK**  
ELEKTRİK ELEKTRONİK MALZ. SAN. VE TİC. LTD. ŞTİ



**hohner**

HOHNER AUTOMAZIONE SRL

Series  
PRA  
PHA

Absolute hollow shaft encoder,  
high settlement; self-aligning system panted

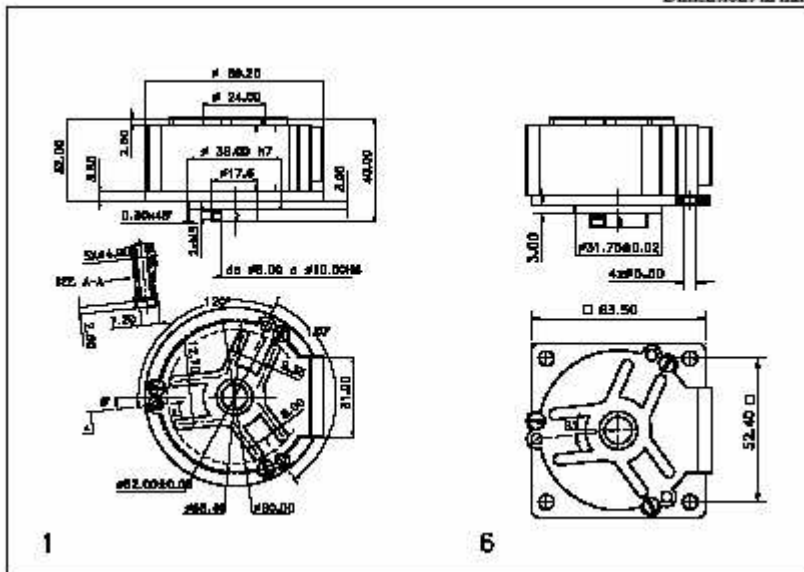
PRA = Absolute parallel  
PHA = Absolute parallel  
with Hall effect

**Mechanics Data**

Cover:	SMC fiber glass + ABS
Body:	Aluminium
Solid shaft:	Stainless steel
Bearings:	2, ballraces
Weight:	Approx. 150gr.
Protection:	IP65
Rpm:	6000 Max
Torque:	3Ncm
Inertia:	40gcm <sup>2</sup>
Shaft loading:	Axial 30N - Radial 30N
Recovery max value:	Angular 1.5° - 0.5mm axial and radial



Dimensions in mm

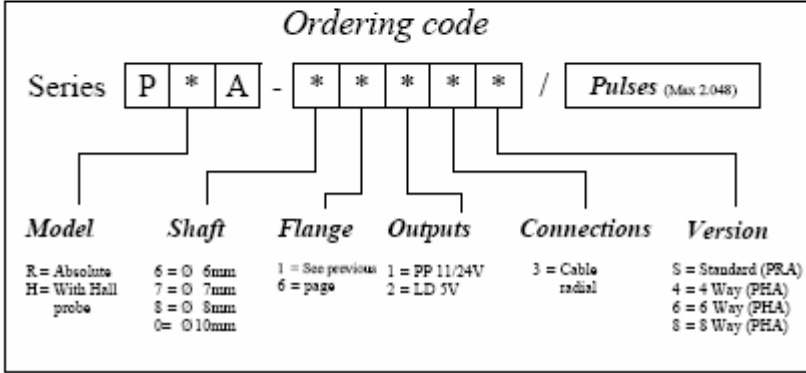


**Series  
PRA-PHA**

**Electronics Data**

Power supply: from 5 to 24V depends on the electronics circuit  
 Current consumption: 20mA  
 Max power: 2Watt  
 Permissible load: 20mA  
 Frequency: 100KHz (max 6000 rpm)  
 Protections: Against short circuit, reversal polarity  
 Operating Temp.: 0-60°C

**Ordering code**



**Connections**

	Absolute encoder: output bit															Hall probe							
	- Volt	+ Volt	U/D	G/B	MSB → LSB											H0	H1	H2					
	1	2	3	4	5	6	7	8	9	10	11	12	13	14	15	16	17	18					
<b>Cable</b>	B L A C K	B L U E	Y E L L O W	W H I T E	G R E E N	B R O W N	B E I G E	Y E L L O W	G R E E N	V I O L E T	P I N K	O R A N G E	T R A N S P A R E	R E D	W H I T E	B L U E	W H I T E	G R E E N	W H I T E	B R O W N	Y E L L O W	W H I T E	O R A N G E

Legend connections:  
 MSB = Most Significant Bit  
 LSB = Low Significant Bit  
 U/D = Up / Down direction signals (clockwise or anticlockwise)  
 G/B = Gray or Binary  
 H0, 2 = Hall probe (outputs signals)

N.B. Encoder inputs are internally connected to logical "1"  
 The standard configuration is a follows: outputs code: Gray, clockwise increment (UP)  
 Connecting input to logical "0", the configuration changes, output code: Binary, anticlockwise increment (UP)



**İmaj Teknik Elektrik Elektronik San. ve Tic. Ltd. Şti.**

**EMEKYEMEZ MAH.TUTSAK SOK. NO: 16/13-14-15  
 KARAKOY/ISTANBUL  
 TURKEY**

Telefon : +90 212 235 9535 / 36  
 Fax : +90 212 235 9537

[www.imajteknik.com](http://www.imajteknik.com)  
[www.imajteknik.com.tr](http://www.imajteknik.com.tr)