



İMAJ TEKNİK
ELEKTRİK ELEKTRONİK MALZ. SAN. VE TİC. LTD. ŞTİ

hohner

HOHNER AUTOMAZIONE SRL

Series PR

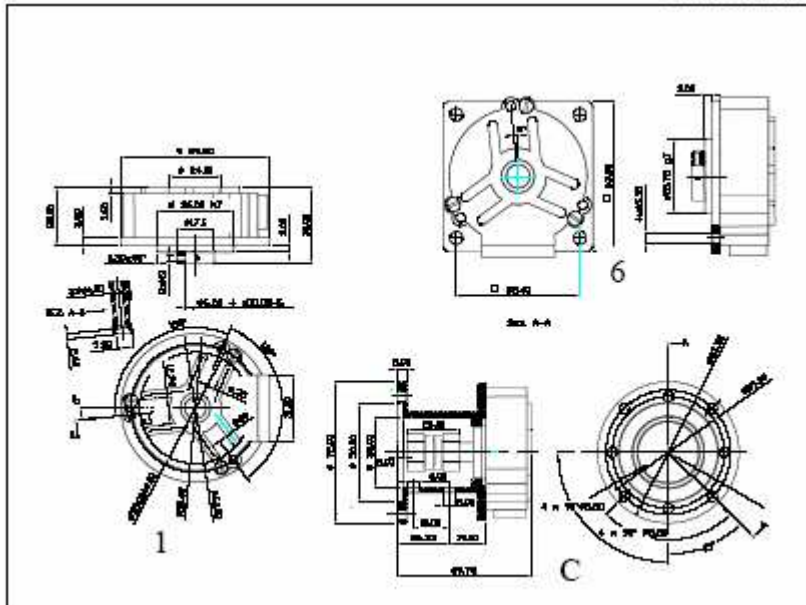
Incremental hollow shaft encoder,
high settlement;
self-aligning system painted

Mechanics Data

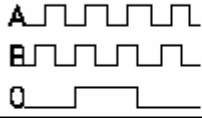

Cover:	SMC fiber glass + ABS
Body:	Aluminium
Solid shaft:	Stainless steel
Bearings:	2 ballraces
Weight:	Approx. 150gr.
Protection:	IP65
Rpm:	6000 Max
Torque:	3Ncm
Inertia:	40gcm ²
Shaft loading:	Axial 30N - Radial 30N
Recovery max value:	Angular 1,5° - 0,5mm axial and radial



Dimensions in mm



Series PR

Output signals (cw) 

Electronics Data

Power supply: from 5 to 24V depends on the electronics circuit
 Current consumption: 40/80mA depends on the electronics circuit
 Permissible load: 20/40mA depends on the electronics circuit
 Frequency: to 300KHz depends on the electronics circuit
 Protections: Against short circuit, reversal polarity
 Operating Temp.: -10/+60°C (extension on request)

Ordering code

Series		P R - * * * * *					Pulses (Max. 3.600)	
							See page 4	
Shaft	Flange	Outputs			Connections	Options		
6 = Ø 6mm 7 = Ø 7mm 8 = Ø 8mm 0 = Ø 10mm	1 = See previous page 6 = page C =	2 = AB 3 = AB0 N = AB+AB P = AB0+AB0 B = AB C = AB0 G = AB H = AB0 5 = AB+AB 6 = AB0+AB0 8 = AB+AB 9 = AB0+AB0 S = AB+AB T = AB0+AB0 K = AB0+AB0	PP11/28V PP11/28V PP11/28V PP11/28V OC11/28V OC11/28V NPN 11/28V NPN 11/28V LD5V LD5V LD5/12V LD5/12V LD15/24V (out 12V - 20mA channel) LD15/24V (out 12V - 20mA channel) LD15/24 (out 5V - 20mA channel)	1 = 9415 Radial 3 = Cable Radial 2 = 9414 Radial	0 = None Z = Synchronised zero pulse to 180° only for Line Driver W = Synchronised zero pulse to 90° only for Line Driver H = Connector 9415 With pins compatible with other Hohner models Y = Power supply 5/12V for output NPN/OC/PP			
On request: 2 = Ø 12mm 4 = Ø 14mm								

Connections

	-	+	A	B	A	B	0	0
Cable 5 Way	White	Brown	Green	Yellow			Gray	
Cable 8 Way	Black	Blue	Brown	Beige	Green	Yellow	Pink	Violet
Connector 9414	Pin1	Pin2	Pin3	Pin4			Pin5	
Connector 9415	Pin1	Pin2	Pin3	Pin4	Pin6	Pin7	Pin5	Pin8
Connector 9415 option H	Pin1	Pin2	Pin3	Pin4	Pin5	Pin6	Pin7	Pin8

İMAJ



İmaj Teknik Elektrik Elektronik San. ve Tic. Ltd. Şti.

EMEKYEMEZ MAH.TUTSAK SOK. NO: 16/13-14-15
 KARAKOY/İSTANBUL
 TURKEY

Telefon : +90 212 235 9535 / 36
 Fax : +90 212 235 9537

www.imajteknik.com
 www.imajteknik.com.tr