



**İMAJ TEKNİK**  
ELEKTRİK ELEKTRONİK MALZ. SAN. VE TİC. LTD. ŞTİ



**hohner**

HOHNER AUTOMAZIONE SRL

## Series PL

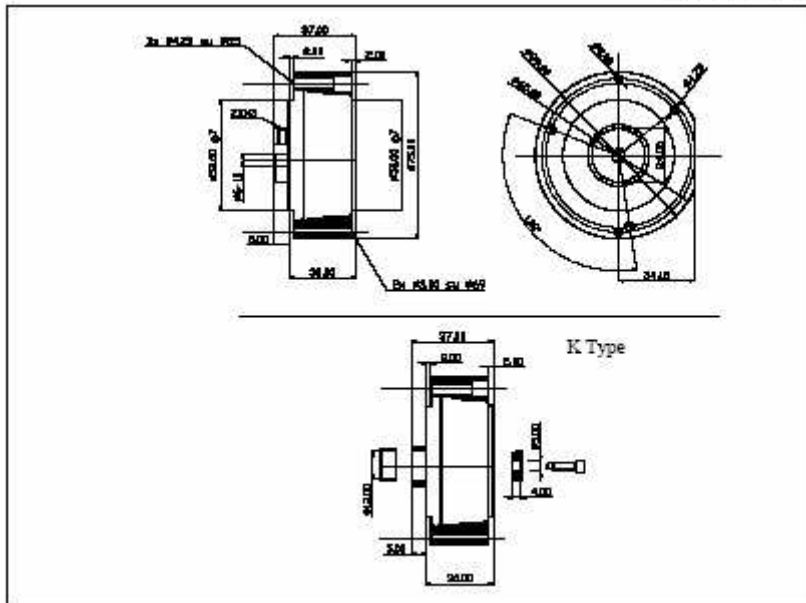
Incremental hollow shaft encoder,  
high settlement;  
self-aligning system patented

### Mechanics Data

Cover:	Aluminium
Body:	Aluminium
Solid shaft:	Stainless steel
Bearings:	2 ballraces
Weight:	Approx. 250gr.
Protection:	IP65
Rpm:	6000 Max
Torque:	3Ncm
Inertia:	40gcm <sup>2</sup>
Shaft loading:	Axial 30N - Radial 30N
Recovery max value:	Angular 1,5° - 0,5mm axial and radial



Dimensions in mm.

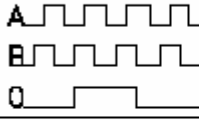



İMAJ

İMAJ

## Series PL

## Electronics Data

Output signals (cw) 

Power supply: from 5 to 24V depends on the electronics circuit  
 Current consumption: 40/80mA depends on the electronics circuit  
 Permissible load: 20/40mA depends on the electronics circuit  
 Frequency: to 300KHz depends on the electronics circuit  
 Protections: Against short circuit, reversal polarity  
 Operating Temp.: -10/+60°C (extension on request)

## Ordering code

Series	P	L	-	*	1	*	*	*	/	Pulses (Max 3.600)
										See pulses page
<b>Shaft</b>				<b>Outputs</b>			<b>Connections</b>		<b>Options</b>	
6 = Ø6mm				2 = AB	PP11/28V	1 = 9415 Radial	0 = None		Z = Synchronised zero pulse to 180° only for Line Driver	
7 = Ø7mm				3 = AB0	PP11/28V	3 = Cable Radial	W = Synchronised zero pulse to 90° only for Line Driver		H = Connector 9415 With pins compatible with other Hohner models	
8 = Ø8mm				N = AB+ $\overline{AB}$	PP11/28V	2 = 9414 Radial	Y = Power supply 5/12V for output NPN/OC/PP			
0 = Ø10mm				P = AB0+ $\overline{AB0}$	PP11/28V					
On request:				B = AB	OC11/28V					
2 = Ø12mm				C = AB0	OC11/28V					
4 = Ø14mm				G = AB	NPN 11/28V					
K = Ø 12 Conical				H = AB0	NPN 11/28V					
				5 = AB+ $\overline{AB}$	LD5V					
				6 = AB0+ $\overline{AB0}$	LD5V					
				8 = AB+ $\overline{AB}$	LD5/12V					
				9 = AB0+ $\overline{AB0}$	LD5/12V					
				S = AB+ $\overline{AB}$	LD15/24V(out 12V - 20mA channel)					
				T = AB0+ $\overline{AB0}$	LD15/24V(out 12V - 20mA channel)					
				K = AB0+ $\overline{AB0}$	LD15/24 (out 5V - 20mA channel)					

## Connections

	-	+	A	B	$\overline{A}$	$\overline{B}$	0	$\overline{0}$
Cable 5 Way	White	Brown	Green	Yellow			Gray	
Cable 8 Way	Black	Blue	Brown	Beige	Green	Yellow	Pink	Violet
Connector 9414	Pin1	Pin2	Pin3	Pin4			Pin5	
Connector 9415	Pin1	Pin2	Pin3	Pin4	Pin6	Pin7	Pin5	Pin8
Connector 9415 option H	Pin1	Pin2	Pin3	Pin4	Pin5	Pin6	Pin7	Pin8

İMAJ



İmaj Teknik Elektrik Elektronik San. ve Tic. Ltd. Şti.

EMEKYEMEZ MAH.TUTSAK SOK. NO: 16/13-14-15  
 KARAKOY/İSTANBUL  
 TURKEY

Telefon : +90 212 235 9535 / 36  
 Fax : +90 212 235 9537

www.imajteknik.com  
 www.imajteknik.com.tr