

**İMAJ TEKNİK**  
ELEKTRİK ELEKTRONİK MALZ. SAN. VE TİC. LTD. ŞTİ

**hohner**

HOHNER AUTOMAZIONE SRL

## Series PEH

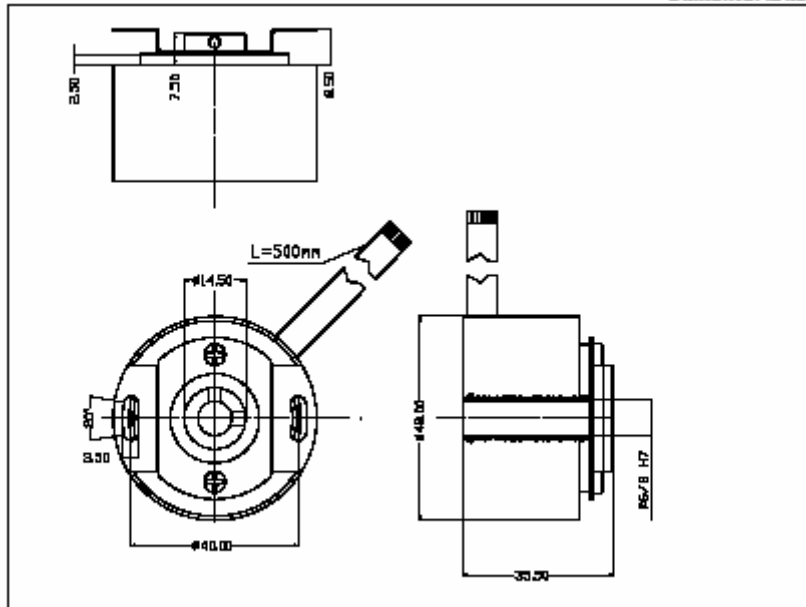
Incremental hollow shaft encoder,  
with effect Hall phases

### Mechanics Data

Cover:	ABS
Body:	Aluminium
Solid shaft:	Stainless steel
Bearings:	2, ball races
Weight:	Approx. 150gr.
Protection:	IP54
Rpm:	6000 Max
Torque:	3Ncm
Inertia:	40gcm <sup>2</sup>
Shaft loading:	Axial 30N - Radial 30N

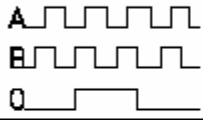



Dimensions in mm



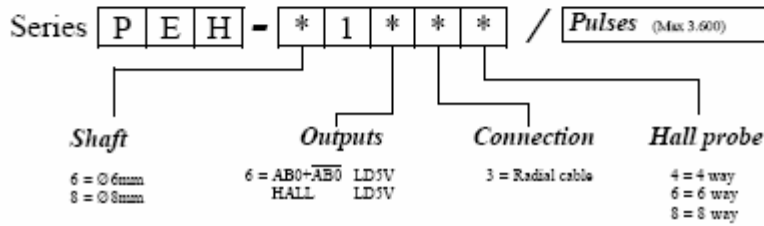
## Series PEH

## Electronics Data

Output signals (cw) 

Power supply: from 5 to 24V depends on the electronics circuit  
 Current consumption: 40/80mA depends on the electronics circuit  
 Permissible load: 20/40mA depends on the electronics circuit  
 Frequency: up to 300KHz depends on the electronics circuit  
 Protections: Against short circuit, reversal polarity  
 Operating Temp.: -10/+60°C (extension on request)

## Ordering code



## Connexion

	incremental encoder								Hall						
	-	+	A	B	$\bar{A}$	$\bar{B}$	0	$\bar{0}$	H0	H1	H2	$\bar{H0}$	$\bar{H1}$	$\bar{H2}$	
	1	2	3	4	5	6	7	8	9	10	11	12	13	14	
<b>Cable</b>	B L A C K	B L U E	B R O W N	B E I G E	G R E E N	Y E L L O W	P I N K	V I O L E T	O R A N G E	T R A N S P A R	Y E L L O W	R E D	W H I T E	B L U E	Y E L L O W

İmaj Teknik Elektrik Elektronik San. ve Tic. Ltd. Şti.

EMEKYEMEZ MAH.TUTSAK SOK. NO: 16/13-14-15

KARAKOY/İSTANBUL  
TURKEYTelefon : +90 212 235 9535 / 36  
Fax : +90 212 235 9537www.imajteknik.com  
www.imajteknik.com.tr