



İMAJ TEKNİK
ELEKTRİK ELEKTRONİK MALZ. SAN. VE TİC. LTD. ŞTİ

hohner

HOHNER AUTOMAZIONE SRL

Series MS

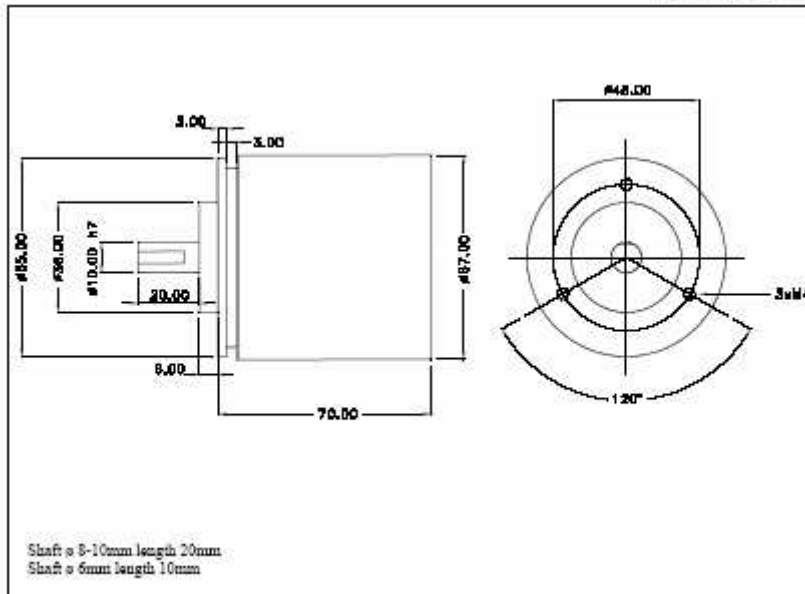
Absolute single turn shaft encoder
high settlement (ø65mm)

Mechanics Data

Cover:	Lacquered aluminium
Body:	Aluminium
Solid shaft:	Stainless steel
Bearings:	2, ballraces
Weight:	Approx. 300gr.
Protection:	IP65
Rpm:	6000 Max
Torque:	5Ncm
Inertia:	100gcm ²
Shaft loading:	Axial 100N - Radial 100N



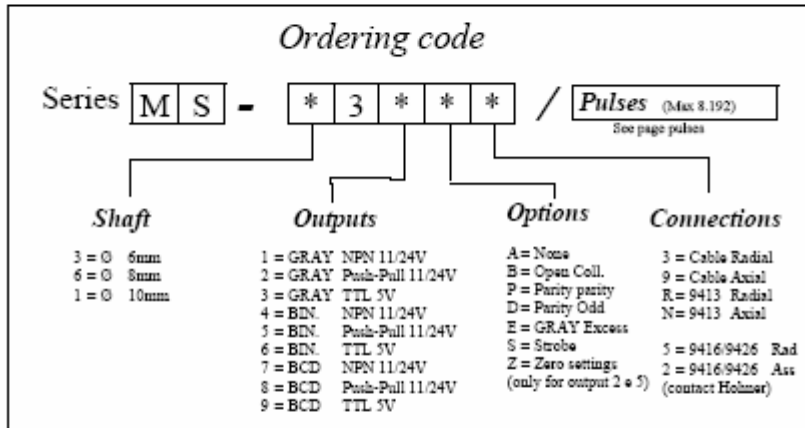
Dimensions in mm.



Series MS

Electronics Data

Power supply: from 5 to 24V depends on the electronics circuit
 Current consumption: 40/80mA depends on the electronics circuit
 Permissible load: 40mA
 Frequency: 50KHz (standard in LSB)
 Protections: Against short circuit, reversal polarity
 Operating Temp.: -20/+60°C



Connections

	0 Volt	+ Volt	2 ⁰	2 ¹	2 ²	2 ³	2 ⁴	2 ⁵	2 ⁶	2 ⁷	2 ⁸	2 ⁹	2 ¹⁰	2 ¹¹	M	DIR ↔	
Connector 9416 12p	P1	P2	P3	P4	P5	P6	P7	P8	P9	P10	P11					P12	
Conn 9416 16p - 9413	P1	P2	P3	P4	P5	P6	P7	P8	P9	P10	P11	P12	P13	P14	P15	P16	
Cable	B L A C K	B L U E	B R O W N	B E I G E	G R E E N	Y E L L O W	P I N K	V I O L E T	O R A N G E	T R A N S P A R	W H I T E	W H I T E	G R E E N	V I O L E T	Y E L L O W	G R E E N	Y E L L O W

Legend connections:
 M = optional outputs:
 DIR ↔ = is the signal direction: clockwise or anticlockwise
 Clockwise standard
 Anticlockwise connect DIR ↔ to 0Volt.



İmaj Teknik Elektrik Elektronik San. ve Tic. Ltd. Şti.

**EMEKYEMEZ MAH.TUTSAK SOK. NO: 16/13-14-15
 KARAKOY/İSTANBUL
 TURKEY**

Telefon : +90 212 235 9535 / 36
 Fax : +90 212 235 9537

www.imajteknik.com
 www.imajteknik.com.tr