



İMAJ TEKNİK
ELEKTRİK ELEKTRONİK MALZ. SAN. VE TİC. LTD. ŞTİ

HOHNER.AUTOMAZIONE SRL

Serie EXS EXSA

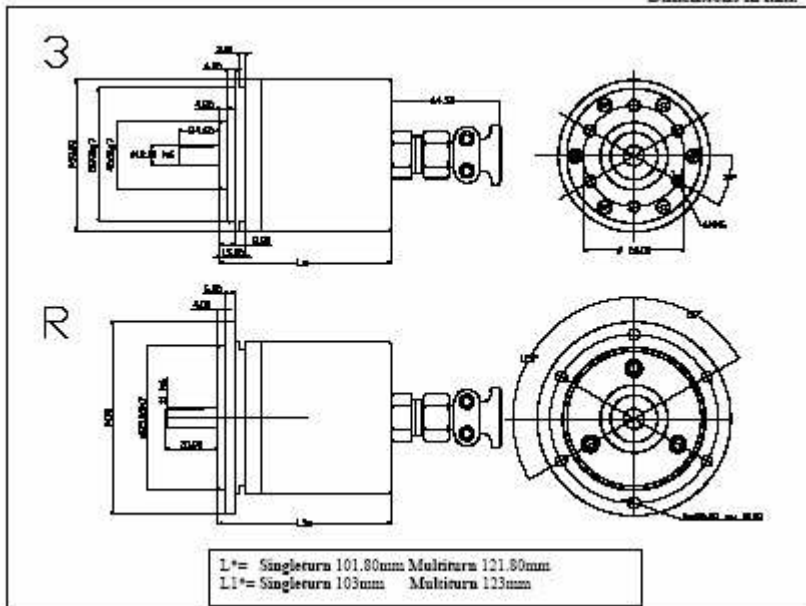
Heavy duty absolute encoder,
certified to EExdIICT6

Mechanics Data

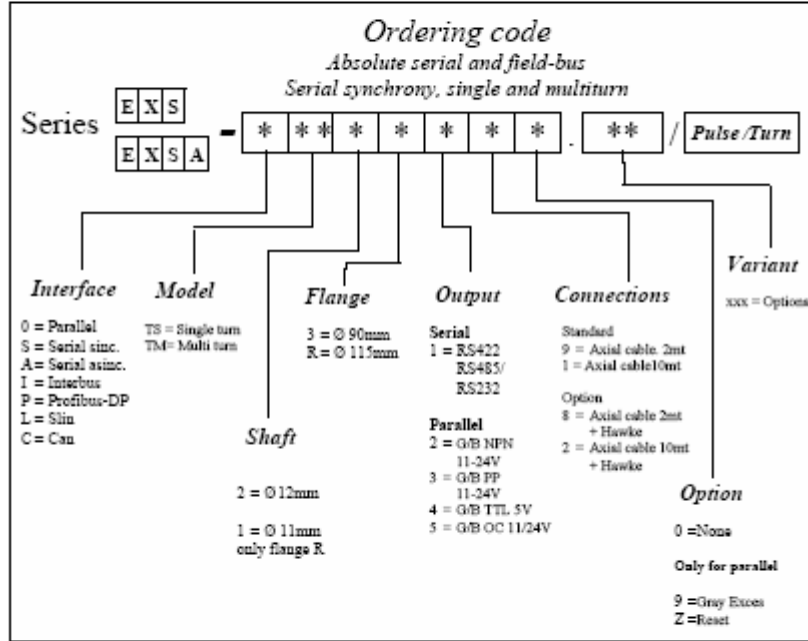
| | |
|----------------|---|
| Cover: | Aluminium (or stainless steel EXSA) |
| Body: | Aluminium (or stainless steel EXSA) |
| Solid shaft: | Stainless steel |
| Bearings: | 2, ballraces |
| Weight: | Approx. 1700gr. (EXSA 4000gr) |
| Protection: | IP65 |
| Rpm: | 6000 Max |
| Torque: | 5Ncm |
| Inertia: | 270gcm ² |
| Shaft loading: | Axial 200N - Radial 200N (the value decrease when the number of pulses increase) |



Dimensions in mm.



| | |
|---|--|
| Series EXS-EXSA | Electronics Data |
| EXS= Aluminium version EXSA= Steel version | Power supply: from 5 to 24V depends on the electronics circuit Power consumption: Max 3Watt (depends on the electronics circuit) Permissible load: 40mA Frequency: 50KHz (standard in LSB) Protections: Against short circuit, reversal polarity Operating Temp.: -20/+40°C |



İmaj Teknik Elektrik Elektronik San. ve Tic. Ltd. Şti.
 EMEKYEMEZ MAH.TUTSAK SOK. NO: 16/13-14-15
 KARAKOY/İSTANBUL
 TURKEY

Telefon : +90 212 235 9535 / 36 www.imajteknik.com
 Fax : +90 212 235 9537 www.imajteknik.com.tr