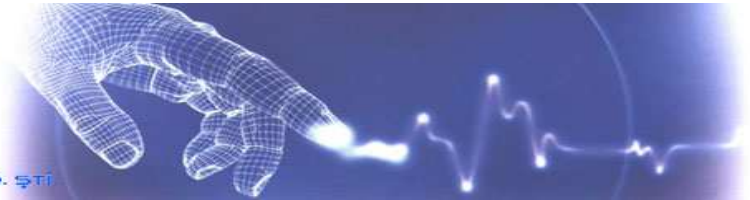




İMAJ TEKNİK
ELEKTRİK ELEKTRONİK MALZ. SAN. VE TİC. LTD. ŞTİ



HOHNER AUTOMAZIONE SRL

Series EXH EXHA

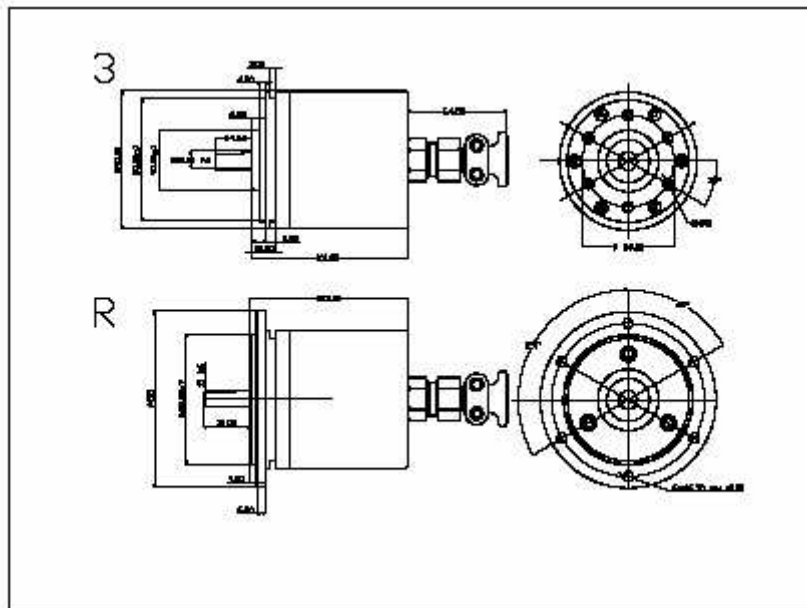
Heavy duty incremental encoder,
certified to EExdIICT6

Mechanics Data

Cover:	Aluminium (or stainless steel)
Body:	Aluminium (or stainless steel)
Solid shaft:	Stainless steel
Bearings:	2, ballraces
Weight:	Approx. 1700gr (EXHA 4000gr)
Protection:	IP65
Rpm:	6000 Max
Torque:	5Ncm
Inertia:	100gcm ²
Shaft loading:	Axial 200N - Radial 200N (the value decrease when the number of pulses increase)



Dimensions in mm.



İMAJ

İSTİ

Series
EXH-EXHA

Output signals (cw)

Electronics Data

Power supply: from 5 to 28V depends on the electronics circuit
 Current consumption: 40/80mA depends on the electronics circuit
 Permissible load: 40mA
 Frequency: 600KHz (depends on the electronics circuit)
 Protections: Against short circuit, reversal polarity
 Operating Temp.: -20/+40°C

Ordering code

Series E X H - * * * * * * * / Pulse (Max 36.000)

Shaft	Flange	Outputs	Connections	Variant
2 = Ø12mm 1 = Ø11mm only flange R	3 = Ø90mm R = Ø115mm	2 = AB PP11/28V 3 = ABØ PP11/28V N = AB+ABØ PP11/28V P = ABØ+ABØ PP11/28V B = AB OC11/28V C = ABØ OC11/28V G = AB NPN 11/28V H = ABØ NPN 11/28V 5 = AB+AB LD5V 6 = ABØ+ABØ LD5V 8 = AB+AB LD5/12V 9 = ABØ+ABØ LD5/12V S = AB+AB LD15/24V(out 12V) T = ABØ+ABØ LD15/24V(out 12V) K = ABØ+ABØ LD15/24V(out 5V) J = AB+AB W = ABØ+ABØ A = AB+REF Y = ABØ+REF	Standard 9 = Axial cable 2mt 1 = Axial cable 10mt Option 8 = Axial cable 2mt + Hawse 2 = Axial cable 10mt + Hawse	xxx = Optional

Option

0 = None
 1 = High zero pulse
 Z = Synchronised zero Pulse to 180° only for Line Driver
 W = Synchronised zero Pulse to 90° only for Line Driver
 Y = Power supply 5/12V (only NPN OC,PP)
 U = Power supply 5-28V (only PP)

EXH= Aluminium version
EXHA= Steel version

Connections

	0 Volt	+ Volt	A	B	Ā	B̄	0	0̄
Cable	Black	Blue	Brown	White	Green	Yellow	Pink	Violet

İMAJ



İmaj Teknik Elektrik Elektronik San. ve Tic. Ltd. Şti.

EMEKYEMEZ MAH.TUTSAK SOK. NO: 16/13-14-15
KARAKOY/İSTANBUL
TURKEY

Telefon : +90 212 235 9535 / 36
Fax : +90 212 235 9537

www.imajteknik.com
www.imajteknik.com.tr