



İMAJ TEKNİK
ELEKTRİK ELEKTRONİK MALZ. SAN. VE TİC. LTD. ŞTİ

HOHNER AUTOMAZIONE SRL

hohner

Field Bus

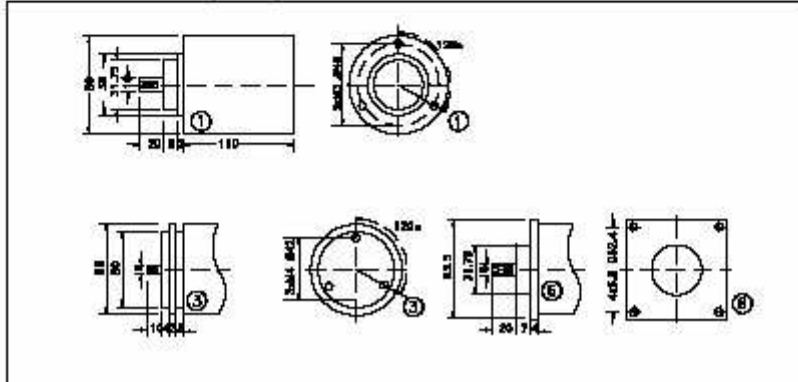
Absolute single turn and multi turn programmable ø58mm

Series PS	Profibus single turn
Series PSM	Profibus multi turn
Series CNS	Canbus single turn
Series CSM	Canbus multi turn



Mechanics Data

Cover:	Lacquered aluminium
Body:	Aluminium
Solid shaft:	Stainless steel
Bearings:	2, ballraces
Weight:	Approx. 400gr.
Protection:	IP65
Rpm:	3000 Max
Torque:	5Ncm
Inertia:	100gcm ²
Shaft loading:	Axial 50N - Radial 50N (max value)



İMAJ

Absolute encoder Profibus

Electronic data

Resolution: Singleturn 12 Bit 24 bit(12 Bit Singleturn -12 bit Multiturn)
 Power supply: 11-24V +/- 5%
 Current cons.: Singleturn 3Watt max. Multiturn 6 Watt max.
 Outputs: Differential in RS422, RS485
 Programmable code: Gray/Binary
 Programming: By Bus
 Operating temp.: 0-60°C

Ordering code

* * * -	*	*	*	*	*	*	*	/	*	/	*
Series	Shaft	Flange	Outputs	Connections	Options	Pulses/Turn					
Ø58mm PS = Singleturn PSM = Multiturn	Ø58mm 3-Ø 6mm L.10mm 6-Ø 8mm L.20mm 1-Ø10mm L.20mm	Ø58mm 1-See 3= page 6= draw	1-RS422/ RS485	L=COP58PG	0=None						
Ø65mm PMS = Singleturn PMM = Multiturn	Ø65mm 3-Ø 6mm L.10mm(PMS) 6-Ø 8mm L.20mm (PMS) 1-Ø10mm L.20mm	Ø65mm 3-Ø 65mm									
Ø90mm PTS = Singleturn PTM = Multiturn	Ø90mm 1-Ø 10mm L2.5mm 2-Ø 12mm L2.5mm	Ø90mm 3-Ø 90mm									

Absolute encoder Canbus

Electronic data

Resolution: Singleturn 12 Bit 24 bit(12 Bit Singleturn -12 bit Multiturn)
 Power supply: 11-24V +/- 5%
 Current cons.: Singleturn 3Watt max. Multiturn 6 Watt max.
 Outputs: Differential in RS422, RS485
 Programmable code: Gray/Binary
 Programming: By Bus
 Operating temp.: 0-60°C

Ordering code

* * * -	*	*	*	*	*	*	*	/	*	/	*
Series	Shaft	Flange	Outputs	Connections	Options	Pulses/Turn					
Ø58mm CNS = Singleturn CSM = Multiturn	Ø58mm 3-Ø 6mm L.10mm 6-Ø 8mm L.20mm 1-Ø10mm L.20mm	Ø58mm 1-See 3= page 6= draw	1-RS422/ RS485	L=COP58PG	0=None						
Ø65mm CMS = Singleturn CMM = Multiturn	Ø65mm 3-Ø 6mm L.10mm(PMS) 6-Ø 8mm L.20mm (PMS) 1-Ø10mm L.20mm	Ø65mm 3-Ø 65mm									
Ø90mm CTS = Singleturn CTM = Multiturn	Ø90mm 1-Ø 10mm L2.5mm 2-Ø 12mm L2.5mm	Ø90mm 3-Ø 90mm									




İmaj Teknik Elektrik Elektronik San. ve Tic. Ltd. Şti.

EMEKYEMEZ MAH.TUTSAK SOK. NO: 16/13-14-15

KARAKOY/İSTANBUL
TURKEY

Telefon : +90 212 235 9535 / 36
 Fax : +90 212 235 9537

www.imajteknik.com
 www.imajteknik.com.tr