

İMAJ TEKNİK
ELEKTRİK ELEKTRONİK MALZ. SAN. VE TİC. LTD. ŞTİ

HOHNER AUTOMAZIONE SRL

hohner

Field Bus

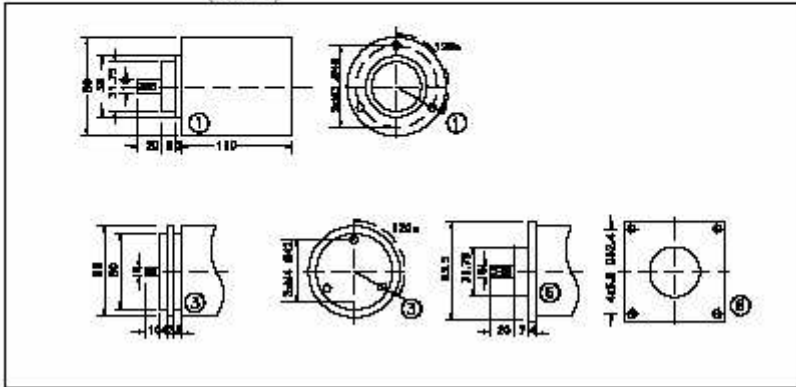
Absolute single turn and multi turn programmable ø58mm

Series PS	<i>Profibus single turn</i>
Series PSM	<i>Profibus multi turn</i>
Series CNS	<i>Canbus single turn</i>
Series CSM	<i>Canbus multi turn</i>



Mechanics Data

Cover:	Lacquered aluminium
Body:	Aluminium
Solid shaft:	Stainless steel
Bearings:	2, ballraces
Weight:	Approx. 400gr.
Protection:	IP65
Rpm:	3000 Max
Torque:	5Ncm
Inertia:	100gcm ²
Shaft loading:	Axial 50N - Radial 50N (max value)



İMAJ

İSTİ

Absolute encoder Profibus

Electronic data

Resolution: Singleturn 12 Bit 24 bit(12 Bit Singleturn -12 bit Multiturn)
 Power supply: 11-24V +/- 5%
 Current cons.: Singleturn 3Watt max. Multiturn 6 Watt max.
 Outputs: Differential in RS422, RS485
 Programmable code: Gray/Binary
 Programming: By Bus
 Operating temp.: 0-60°C

Ordering code

* * * -	*	*	*	*	*	*	*	/	*	/	*
Series	Shaft	Flange	Outputs	Connections	Options	Pulses/Turn					
Ø58mm PS = Singleturn PSM = Multiturn	Ø58mm 3-Ø 6mm L10mm 6-Ø 8mm L20mm 1-Ø10mm L20mm	Ø58mm 1-See 3= page 6= draw	1-RS422/ RS485	L=COP58PG	0=None						
Ø65mm PMS = Singleturn PWM = Multiturn	Ø65mm 3-Ø 6mm L10mm(PMS) 6-Ø 8mm L20mm (PMS) 1-Ø10mm L20mm	Ø65mm 3-Ø 65mm									
Ø90mm PTS = Singleturn PTM = Multiturn	Ø90mm 1-Ø 10mm L25mm 2-Ø 12mm L25mm	Ø90mm 3-Ø 90mm									

Absolute encoder Canbus

Electronic data

Resolution: Singleturn 12 Bit 24 bit(12 Bit Singleturn -12 Bit Multiturn)
 Power supply: 11-24V +/- 5%
 Current cons.: Singleturn 3Watt max. Multiturn 6 Watt max.
 Outputs: Differential in RS422, RS485
 Programmable code: Gray/Binary
 Programming: By Bus
 Operating temp.: 0-60°C

Ordering code

* * * -	*	*	*	*	*	*	*	/	*	/	*
Series	Shaft	Flange	Outputs	Connections	Options	Pulses/Turn					
Ø58mm CNS = Singleturn CSM = Multiturn	Ø58mm 3-Ø 6mm L10mm 6-Ø 8mm L20mm 1-Ø10mm L20mm	Ø58mm 1-See 3= page 6= draw	1-RS422/ RS485	L=COP58PG	0=None						
Ø65mm CMS = Singleturn CMM = Multiturn	Ø65mm 3-Ø 6mm L10mm(PMS) 6-Ø 8mm L20mm (PMS) 1-Ø10mm L20mm	Ø65mm 3-Ø 65mm									
Ø90mm CTS = Singleturn CTM = Multiturn	Ø90mm 1-Ø 10mm L25mm 2-Ø 12mm L25mm	Ø90mm 3-Ø 90mm									



İmaj Teknik Elektrik Elektronik San. ve Tic. Ltd. Şti.

EMEKYEMEZ MAH.TUTSAK SOK. NO: 16/13-14-15
 KARAKOY/İSTANBUL
 TURKEY

Telefon : +90 212 235 9535 / 36
 Fax : +90 212 235 9537

www.imajteknik.com
 www.imajteknik.com.tr