



İMAJ TEKNİK
ELEKTRİK ELEKTRONİK MALZ. SAN. VE TİC. LTD. ŞTİ



HOHNER AUTOMAZIONE SRL

Series BH

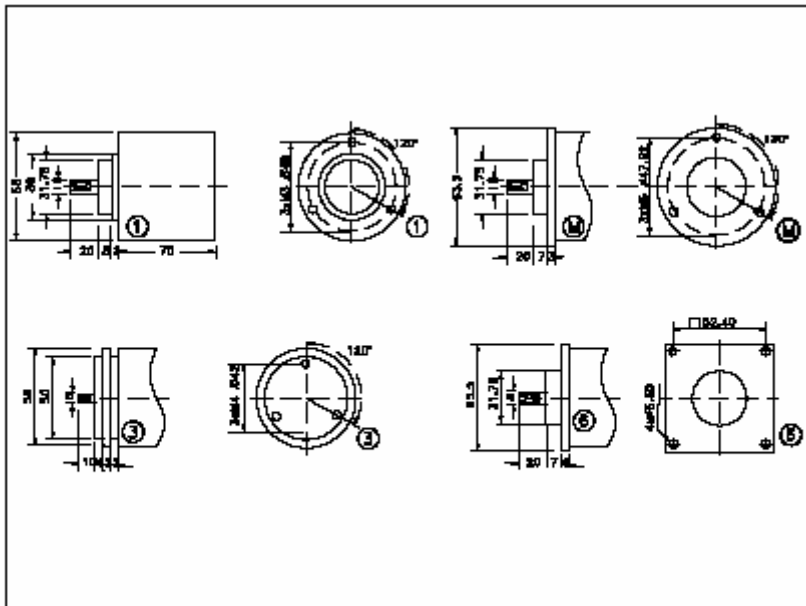
Incremental shaft encoder,
high settlement

Mechanics Data

Cover:	Lacquered aluminium
Body:	Aluminium
Solid shaft:	Stainless steel
Bearings:	2 ballraces
Weight:	Approx. 300gr.
Protection:	IP65
Rpm:	6000 Max
Torque:	5Ncm
Inertia:	100gcm ²
Shaft loading:	Axial 100N - Radial 100N (the value decrease when the number of pulses increase)



Dimensions in mm



Series BH	Electronics Data	
Output signals (cw)	Power supply:	from 5 to 24V depends on the electronics circuit
	Current consumption:	40/80mA depends on the electronics circuit
	Permissible load:	40mA
	Frequency:	to 600KHz depends on the electronics circuit (100 KHz sinusoidal version)
	Protections:	Against short circuit, reversal polarity
Operating Temp.:	-20/+60°C (-30/+100°C) on request 0/+60° sinusoidal version	

Ordering code

Series **BH** - * * - * * - * * - * / **Pulses 1°** **Pulses 2°**
See page pulses

Shaft	Flange	Outputs	Connections	Options
3 = Ø 6mm 6 = Ø 8mm 4 = Ø 9.52mm 1 = Ø 10mm A richiesta 2 = Ø 12mm	1 = see page drawing 3 = M=	2 = AB PP11/28V 3 = AB0 PP11/28V N = AB+AB PP11/28V P = AB0+AB0 PP11/28V 5 = AB+AB LD5V 6 = AB0+AB0 LD5V 8 = AB+AB LD5/12V 9 = AB0+AB0 LD5/12V	X= single connector 2 = 9414 Rad. 0= 9414 Axial 3 = Cavo Rad. 9 = Cavo Axial 4 = 9418 Rad.(*) 6 = 9418 Axial(*) 5 = 9416 Rad. E = 9416 Axial 7 = 9419 Rad.(*) 8 = 9419 Axial(*) S = 9426 Rad.(*) T = 9426 Axial(*)	S = Separate power C = Common power 1 = High zero pulse for both pulses number

1°= First bicoder section
 2°= Second bicoder section
 (*) can't use two adjacent connector

Connections

	0 Volt	+ Volt	A	B	A	B	0	0
Cable 5 Pole	White	Brown	Green	Yellow			Gray	
Cable 8 Pole	Black	Blue	Brown	Beige	Green	Yellow	Pink	Violet
Connector 9414	Pin1	Pin2	Pin3	Pin4				Pin5
Connector 9416	Pin1	Pin2	Pin3	Pin4	Pin5	Pin6	Pin7	Pin8
Connector 9418	PinA	PinB	PinC	PinD	PinE	PinF		PinG
Connector 9419	PinA	PinB	PinC	PinD	PinE	PinF	PinG	PinH
Connector 9426 (for single connection)	Pin1	Pin2	Pin3	Pin4	Pin5	Pin6	Pin7	Pin8
	Pin9	Pin10	Pin11	Pin12	Pin13	Pin14	Pin15	Pin16

İMAJ


İmaj Teknik Elektrik Elektronik San. ve Tic. Ltd. Şti.
 EMEKYEMEZ MAH.TUTSAK SOK. NO: 16/13-14-15
 KARAKOY/İSTANBUL
 TURKEY
 Telefon : +90 212 235 9535 / 36 www.imajteknik.com
 Fax : +90 212 235 9537 www.imajteknik.com.tr