



İMAJ TEKNİK
ELEKTRİK ELEKTRONİK MALZ. SAN. VE TİC. LTD. ŞTİ



hohner

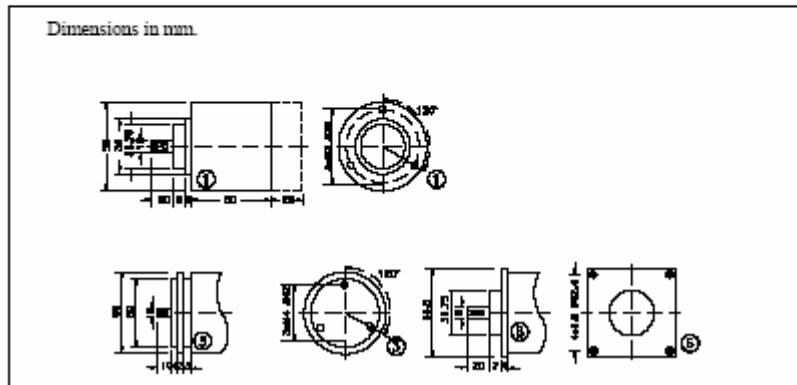
HOHNER AUTOMAZIONE SRL

Serial Encoder Synchronous / Asynchronous & Field Bus
Absolute single turn programmable at 12 Bit ø58mm

Series SS	Serial Synchronous (SSI)
Series AS	Serial Asynchronous
Series LS	SHLISI
Series IS	Interbus-S
Series PS	Profibus
Series CS	Canbus

Mechanics Data

Cover:	Lacquered aluminium
Body:	Aluminium
Solid shaft:	Stainless steel
Bearings:	2, ballraces
Weight:	Approx. 300gr.
Protection:	IP65
Rpm:	6000 Max
Torque:	5Ncm
Inertia:	100gcm ²
Shaft loading:	Axial 50N - Radial 50N (max value)



Absolute serial synchrony encoder SSI

Electronics Data

Resolution:	Single turn 12 Bit Multiturn 24 bit (12 Bit single turn - 12 bit multiturn)
Power supply:	11-24V +/- 5%
Current consumption:	Single turn 3Watt max. Multiturn 6 Watt max.
Input :	Opto-coupler balanced in RS422 (Clock)
Synchronism frequency:	80KHz-1MHz
Outputs:	Differential in RS422
Programmable Code:	Gray/Binary
Programming:	Line in RS232
Operating Temp.:	0/60°C

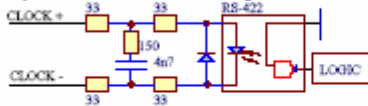
Output circuits

Output Driver RS-422

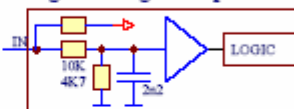


Input circuits

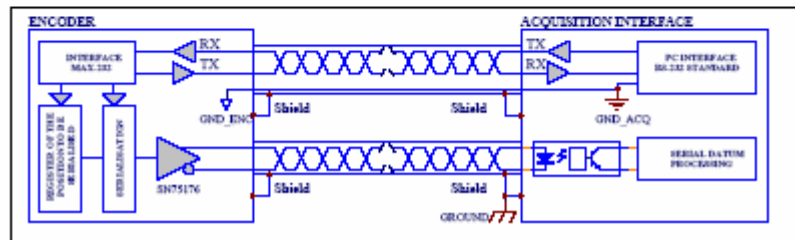
Synchronisation Clock Input



Programming Bit Input



Data transmission



Ordering code

*	*	*	-	*	*	*	*	*	/	*	/	*
Series			Shaft		Flanges	Output	Connections	Options	Pulses/Turn			
Ø58mm SS = Singleturn SSM = Multiturn			Ø58mm 3=Ø 6mm L10mm 6=Ø 8mm L20mm 1=Ø10mm L20mm		Ø58mm 1=See 3= page 6= draw	1=RS422 RS485	1=9416 Axial 2=9416 Rad. 9= Axial cable 3= Radial cable	0=None				
Ø65mm SMS = Singleturn SSM = Multiturn			Ø65mm 3=Ø 6mm 10mm(SMS) 6=Ø 8mm L20mm (SMS) 1=Ø10mm L20mm		Ø65mm 3=Ø 65mm							
Ø90mm STS = Singleturn STM = Multiturn			Ø90mm 1=Ø 10mm L25mm 2=Ø 12mm L25mm		Ø90mm 3=Ø 90mm							

CABLE		Contact 12P IP65	Connections	
Pink	1	CLOCK +	Clock +	
Pink/Gray	2	CLOCK -	Complementary clock +	
Brown	3	DATA S. +	Data +	
Brown/Gray	4	DATA S. -	Complementary Data +	
Blue	5	PROG_TX	Programming Input	
Blue/red	6	PROG_RX	Programming Input	
Beige	7	BIN/GRAY	Binary and Gray (active low)	
Violet	8	UP/DOWN	Up/Down (active low)	
Yellow/White	9	PSET 1	RESET	1 Preset (active low)
Yellow/Brown	10	PSET 2		2 Preset (active low)
Red	11	POWER +	Power + (11-24V)	
Black	12	POWER -	Power - (0V)	

In configuration standard, the encoder is: 12 Bit (singleturn) or 24 Bit (multiturn) of resolution, Parity inactive, increase clockwise and Binary code
 The programming encoder parameter, effect in RS232 with a module for PC supply in equipment.

Absolute serial asynchronous encoder

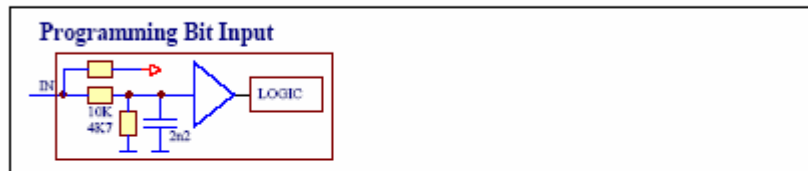
Electronics Data

Resolution: Single turn 12 Bit
 Multiturn 24 bit (12 Bit single turn - 12 bit multiturn)
 Power supply: 11-24V +/- 5%
 Current consumption: Single turn 3Watt max.
 Multiturn 6 Watt max.
 Baud rate : 300 to 115.200 baud
 Outputs: Differential in RS422,RS232 standard
 Programmable Code: Gray/Binary/BCD/ASCII
 Programming: Line in RS232
 Operating Temp.: 0/60°C

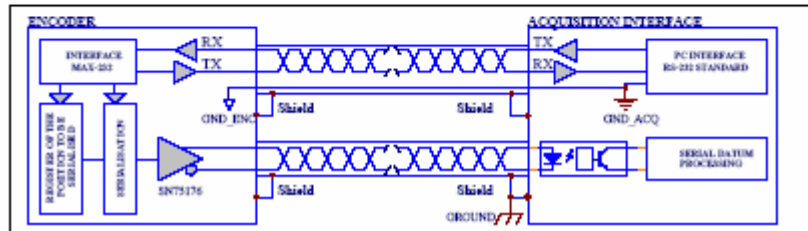
Output circuits



Input circuits



Data transmission



Ordering code

*	*	*	-	*	*	*	*	*	/	*	/	*
Series			Shaft		Flange	Output	Connections	Options	Pulse/Turn			
Ø58mm ASI = Singleturn ASM = Multiturn			Ø58mm 3=Ø 6mm L10mm 6=Ø 8mm L20mm 1=Ø10mm L20mm		Ø58mm 1=See 3= page 6= draw	1=RS422- RS485/ RS232	1=9416 Axial 2=9416 Rad 9=Cable axial 3=Cable rad.	0=None				
Ø65mm AMS = Singleturn AMM = Multiturn			Ø65mm 3=Ø 6mm L10mm(AMS) 6=Ø 8mm L20mm (AMS) 1=Ø10mm L20mm		Ø65mm 3=Ø 65mm							
Ø90mm ATS = Singleturn ATM = Multiturn			Ø90mm 1=Ø 10mm L25mm 2=Ø 12mm L25mm		Ø90mm 3=Ø 90mm							

Connections

CABLE	Contact 12P IP65		
Pink	1		
Pink/Gray	2		
Brown	3	DATA A. +	Data +
Brown/Gray	4	DATA A. -	Complementary Data +
Blue	5	PROG_TX	Programming Input
Blue/red	6	PROG_RX	Programming Input
Beige	7		
Violet	8	UP/DOWN	Up/Down (active low)
Yellow/White	9	RESET	Reset
Yellow/Brown	10		
Red	11	POWER +	Power + (11-24V)
Black	12	POWER -	Power - (0V)

In configuration standard, the encoder is: 12 Bit (singleturn) or 24 Bit (multiturn) of resolution, Parity inactive, increase clockwise and Binary code.
The programming encoder parameter, effect in RS232 with a module for PC supply in equipment.

İmaj Teknik Elektrik Elektronik San. ve Tic. Ltd. Şti.

EMEKYEMEZ MAH.TUTSAK SOK. NO: 16/13-14-15
KARAKOY/İSTANBUL
TURKEY

Telefon : +90 212 235 9535 / 36
Fax : +90 212 235 9537

www.imajteknik.com
www.imajteknik.com.tr

İMAJ