

İMAJ TEKNİK
ELEKTRİK ELEKTRONİK MALZ. SAN. VE TİC. LTD. ŞTİ

HOHNER AUTOMAZIONE SRL

Series AS

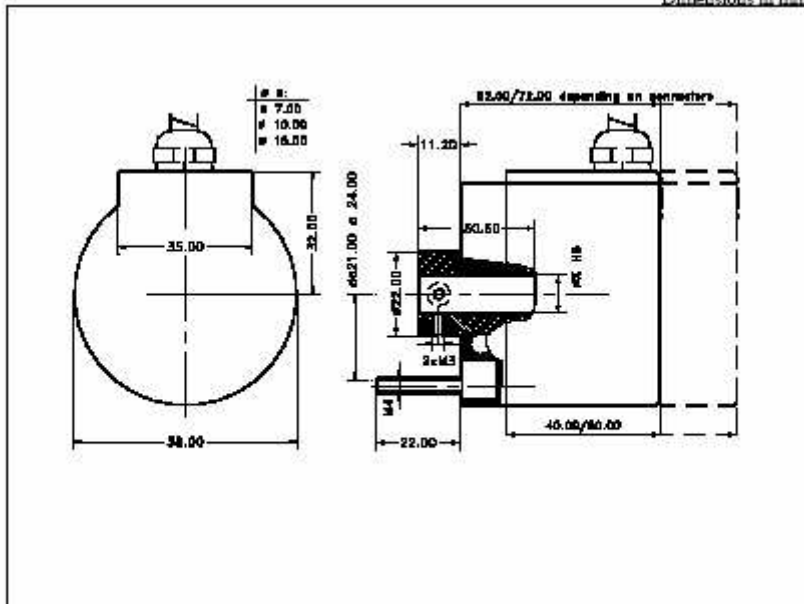
Absolute semi-hollow shaft encoder ($\phi 58\text{mm}$)

Mechanics Data

Cover:	Lacquered aluminium
Body:	Aluminium
Solid shaft:	Stainless steel
Bearings:	2 ballraces
Weight:	Approx. 300gr.
Protection:	IP54 (IP65 on request Max 3000 rpm)
Rpm:	6000 Max.
Torque:	5Ncm
Inertia:	100gcm ²
Shaft loading:	Axial 50N - Radial 50N (the value decrease when the number of pul increase)



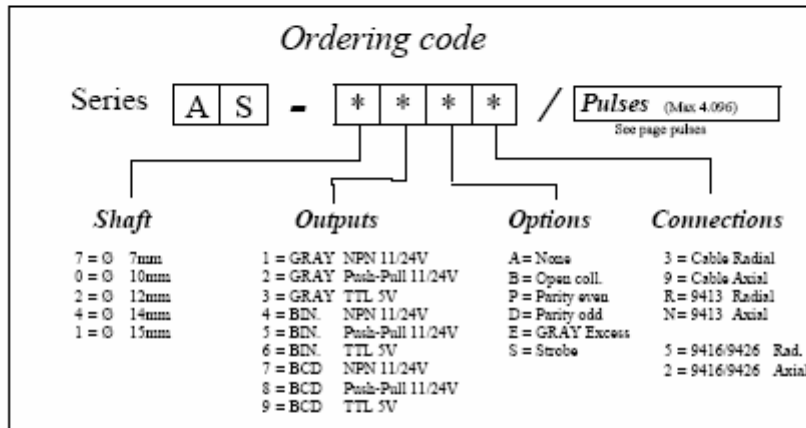
Dimensions in mm



Series AS

Electronics Data

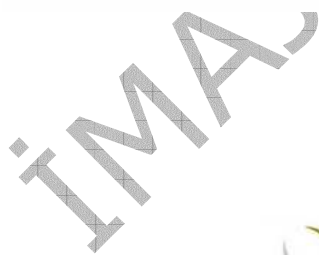
Power supply: from 5 to 24V depends on the electronics circuit
 Current consumption: 40/80mA depends on the electronics circuit
 Permissible load: 40mA
 Frequency: 50KHz (standard in LSB)
 Protections: Against short circuit, reversal polarity
 Operating Temp.: -20/+60°C



Connections

	0 Volt	+ Volt	2	1	2	3	4	5	6	7	8	9	10	11	M	DIR	
Connector 9416 12p	P1	P2	P3	P4	P5	P6	P7	P8	P9	P10	P11					P12	
Connector 9426 16p	P1	P2	P3	P4	P5	P6	P7	P8	P9	P10	P11	P12	P13	P14	P15	P16	
Connector 9413 25p	P1	P2	P3	P4	P5	P6	P7	P8	P9	P10	P11	P12	P13	P14	P15	P16	
Cable	B L A C K	B L U E	B R O W N	B R O W N	G R E E N	Y E L L O W	P I N K	V I O L E T	O R A N G E	T R A N S P A R E	W H I T E	W H I T E	G R E E N	V I O L E T	Y E L L O W	Y E L L O W	W H I T E

Legend connections:
 M = optional outputs
 DIR <-> = is the signal direction: clockwise or anticlockwise
 Clockwise standard
 Anticlockwise connect DIR <-> to 0Volt.



İmaj Teknik Elektrik Elektronik San. ve Tic. Ltd. Şti.

**EMEKYEMEZ MAH.TUTSAK SOK. NO: 16/13-14-15
 KARAKOY/ISTANBUL
 TURKEY**

Telefon : +90 212 235 9535 / 36
 Fax : +90 212 235 9537

www.imajteknik.com
 www.imajteknik.com.tr