



İMAJ TEKNİK
ELEKTRİK ELEKTRONİK MALZ. SAN. VE TİC. LTD. ŞTİ

hohner

HOHNER AUTOMAZIONE SRL

Series
25

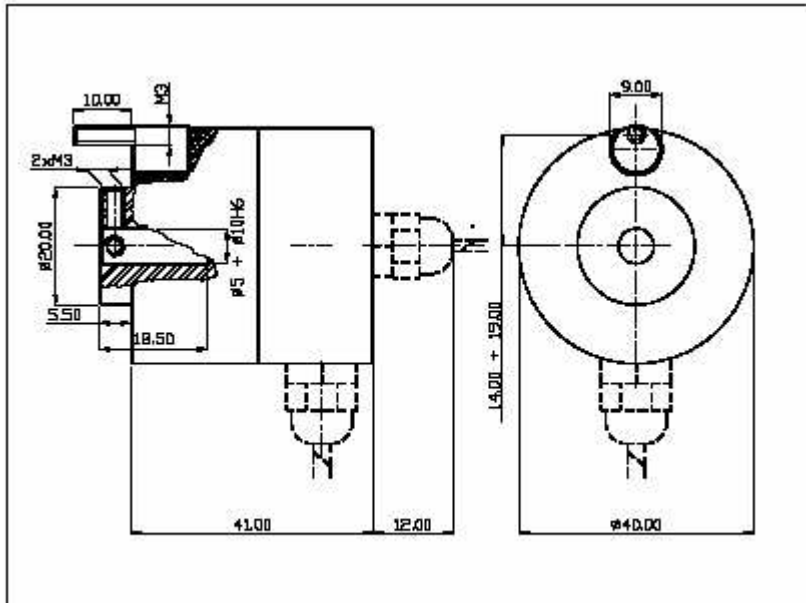
Very compact incremental semi-hollow shaft encoder

Mechanics Data

Cover:	ABS
Body:	Aluminium
Semi-hollow shaft:	Stainless steel
Bearings:	2 ballraces
Weight:	Approx. 130gr
Protection:	IP55
Rpm:	6000 Max
Torque:	3Ncm
Inertia:	10gcm ²
Shaft loading:	Axial 30N - Radial 30N (max. value)

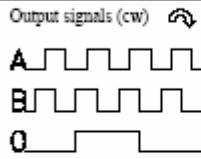


Dimensions in mm.



Series 25

Electronics Data



Power supply: from 5 to 24V depends on the electronics circuit
 Current consumption: 40/80mA depends on the electronics circuit
 Permissible load: 20mA
 Frequency: 100KHz
 Protections: Against short circuit, reversal polarity
 Operating Temp.: -10/+60°C

Ordering code

Series **2 5** - **2 * * * *** / **Pulses** (Max 3600)

Shaft

9 = Ø 5mm
 5 = Ø 6mm
 8 = Ø 7mm
 2 = Ø 8mm
 On request
 0 = Ø 10mm

Output

7 0 = AB NPN 5.24V
 0 0 = AB0 NPN 5.24V
 7 A = AB Open C. 5.24V
 0 A = AB0 Open C. 5.24V
 2 B = AB+AB PP 8.24V
 1 B = AB0+AB0 PP 8.24V
 6 0 = AB+AB LD 5V
 8 0 = AB0+AB0 LD 5V
 8 Z = AB0+AB0 LD 5V (0 on-hook to 180°)
 8 W = AB0+AB0 LD 5V (0 on-hook to 90°)
 K W = AB0+AB0 LD IN 8/24 OUT 5V - 20mA ch.
 (0 locked to + 90°)

Connections

0 = Cable 5P Axial
 2 = Cable 8P Axial
 1 = 9415 9P Axial
 7 = 9415 9P Radial
 3 = 9414 5P Axial
 R = Cable 5P Radial
 8 = Cable 8P Radial

Connections

	0 Volt	+ Volt	A	B	\bar{A}	\bar{B}	0	$\bar{0}$
Cable 5 Way	White	Brown	Green	Yellow			Gray	
Cable 8 Way	Black	Blue	Brown	Beige	Green	Yellow	Pink	Violet
Connector 9415	Pin1	Pin2	Pin3	Pin4	Pin5	Pin6	Pin7	Pin8
Connector 9414	Pin1	Pin2	Pin3	Pin4			Pin5	

İMAJ



İmaj Teknik Elektrik Elektronik San. ve Tic. Ltd. Şti.

EMEKYEMEZ MAH.TUTSAK SOK. NO: 16/13-14-15
 KARAKOY/İSTANBUL
 TURKEY

Telefon : +90 212 235 9535 / 36
 Fax : +90 212 235 9537

www.imajteknik.com
 www.imajteknik.com.tr