

AUTOMATIC TUNING TYPE OPTICAL FIBER SENSOR

PK7 series

High Speed/High Sensitivity, More Convenient With Remote Controller

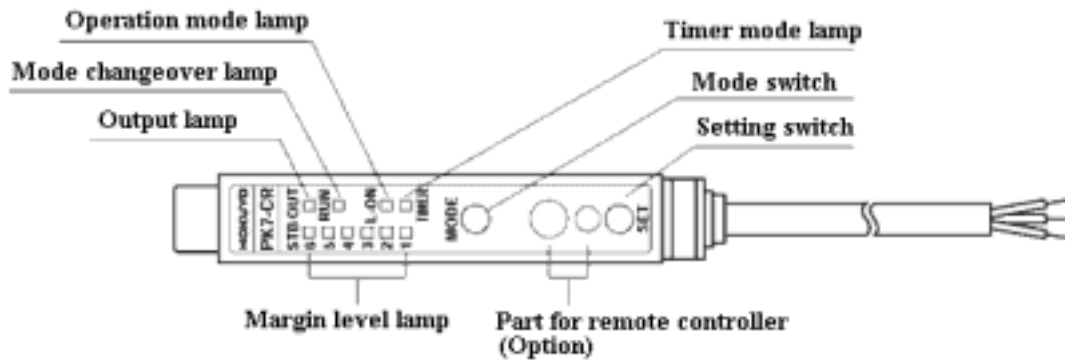
- *This device is automatic tuning type sensor that can be set the optimum sensitivity by one-touch button automatically.
- *It is easy and certain than existing manual adjuster.
- *The operation mode can be set in two ways therefore one sensor can be used like two different sensor.
- *The light receiving margin is indicated by six LED's so as to confirm by sight and it is convenient for maintenance.
- *Providing timer and self-diagnosis output.
- *Performance can be up by remote controller.
- *This device is conforming to EMC Directives.



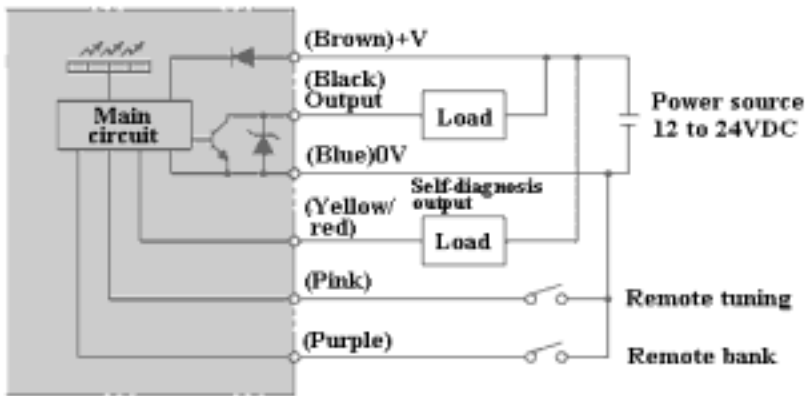
Specifications

Type	Automatic tuning type optical fiber sensor
Model No.	PK7-CR
Detection distance	Through-beam type : 1mm dia. standard fiber 300mm, 0.5mm dia. fine fiber 75mm Reflection type : 1mm dia. standard fiber 110mm, 0.5mm dia. fine fiber 25mm
Conformity of EMC Directive	EN55022(Emission), EN61000-6-2(Immunity)
Power source	12 to 24VDC +/-10%(Ripple 10% or less)
Current consumption	45mA or less
Light source	Red LED(660nm)
Control output	NPN transistor/Open-collector output(Max.30VDC 100mA) Short-circuit protective circuit Residue voltage : Max.1.3V/100mA, 0.5V/10mA Leakage current : Max.0.01mA/30VDC
Response time	0.5msec or less
Timer function	Changeover of non-delay/OFF-delay(Fixed 40msec)
Operation mode	Changeover of LIGHT-ON/DARK-ON
Hysteresis	Automatic setting during 0 to 20%
Self-diagnosis output	NPN transistor/Open-collector output(Max.30VDC 100mA) Short-circuit protective circuit Residue voltage : Max.1.3V/50mA, 0.5V/10mA Leakage current : Max.0.01mA/30VDC
Sensitivity adjustment	Automatic setting by button(Available by remote tuning)
Mode changeover	Changeover by button
Ambient illuminance	Incandescent lamp : 3,000lux or less, natural light : 10,000lux or less
Ambient temperature/humidity	-25 to 55 degrees C(-40 to 70 degrees C at stored), 35 to 85%RH
Connection method	Cable type, 2m long
Protective structure	IP66(IEC standard)
Case/weight	Case : Heat-resistance ABS resin, approx.100g
Attachment	Mounting bracket for side mounting

Amplifier



Input/output circuit



*Self-diagnosis output
self-diagnosis output is continued to execute(ON) and when light-entering level would be kept in +/-15% range of operation level(ON and OFF point) for 0.3sec or more, this output would be getting OFF. If necessary, cut this cable(Yellow/red) at the base.

External dimension

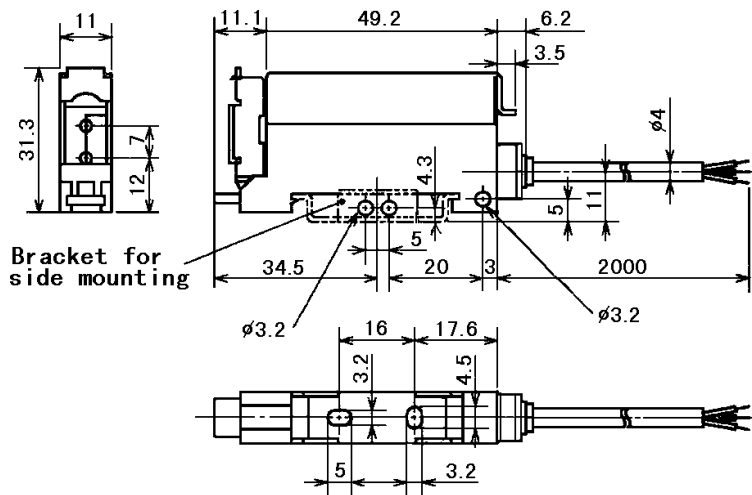


PHOTO SENSOR, LASER SENSOR, MICROWAVE SENSOR, COUNTER, AUTOMATIC DOOR



HOKUYO AUTOMATIC CO.,LTD.
2-1-12 Sonezaki, Kita-ku, Osaka, Japan
Tel(06)6362-6331 Fax(06)6365-8985
<http://www.hokuyo-aut.co.jp>
E-mail: foreign-trade@hokuyo-aut.co.jp