

NEW PRODUCTS

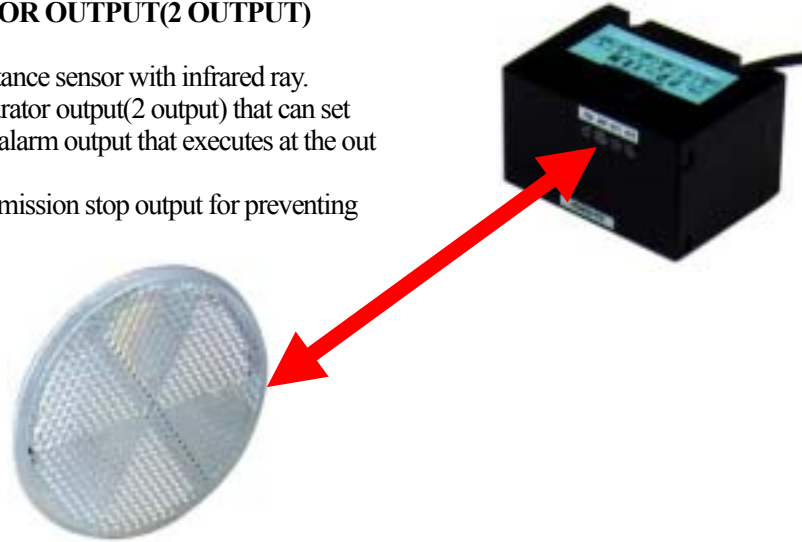
HOKUYO

OPTICAL DISTANCE SENSOR

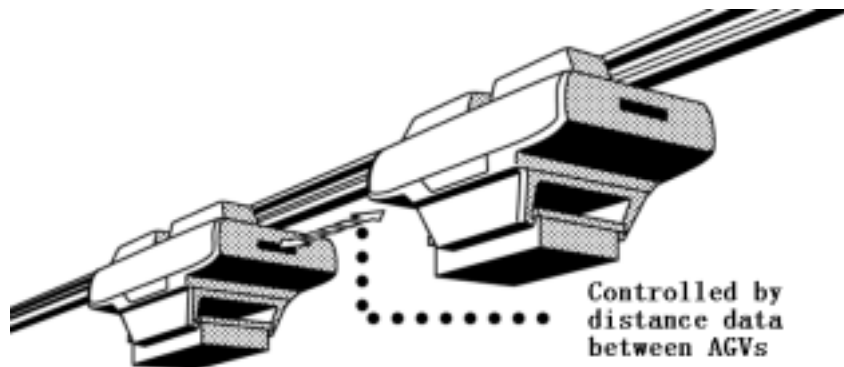
PD-10M

CONVERTING DISTANCE DATA TO ANALOG! PROVIDES COMPARATOR OUTPUT(2 OUTPUT)

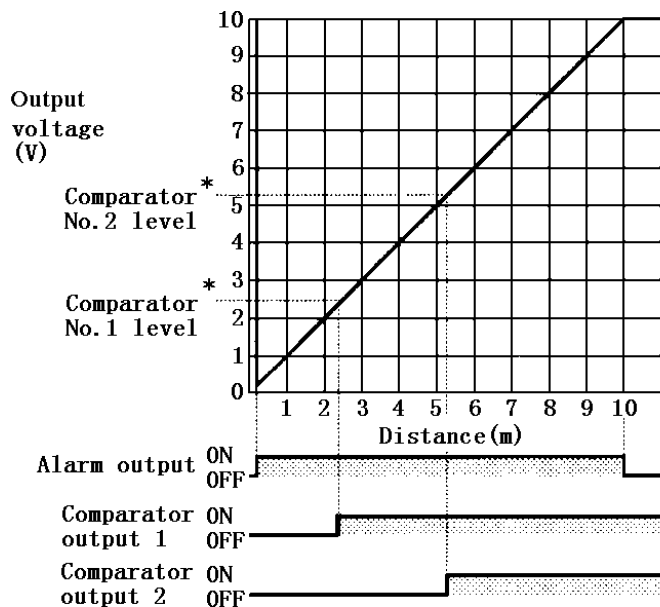
- *This sensor is an optical distance sensor with infrared ray.
- *This sensor provides comparator output(2 output) that can set optional distance value and alarm output that executes at the out of detectable area.
- *This sensor provides light-emission stop output for preventing interference.



Applications



Characteristics data



*Optional setting is available

Specifications

Model No.	PD-10M
Power source	24VDC(+/- 10%, Ripple 10% or less)
Current consumption	150mA or less
Detectable distance	0.2 to 10m
Detectable object	100mm in dia. of plastic reflector
Repeatability	+/- 100mm
Absolute accuracy	+/- 200mm
Hysteresis	300mm
Resolution	40mm
Output	Distance analog output : 0 to 10V(Output impedance 100 ohm) Alarm output : NPN open-collector output(30VDC, 50mA), ON when normally / OFF when it is out of detection area or light-reception level is less than rated value Comparator output : NPN open-collector output(30VDC, 50mA), OFF when it is within detection distance
Input	Contact or contactless input, Stop to emit by shorting to -VIN(0V)(Alarm lamp lights up)
Lamps	Power lamp(Green LED) : Lights up when putting power source on Alarm output lamp(Red LED) : Lights up when alarm output is getting OFF Comparator output lamp(Orange) : Lights up when it is within detection distance
Directional angle	+/- 3.2 degree
Response time	50msec
Connection	Cable 1m long
Ambient illuminance	Halogen and incandescent lamp : 10,000lux or less
Ambient temperature	-10 to +50°C
Ambient humidity	85%RH or less(Not frozen)
Vibration resistance	10 to 55Hz Double amplitude 1.5mm Each 2 hour in X, Y and Z directions
Impact resistance	490m/S ² Each 10 time in X, Y and Z directions
Case	Polycarbonate resin
Weight	Sensor : approx. 200g, Reflection plate : approx. 65g

External dimension

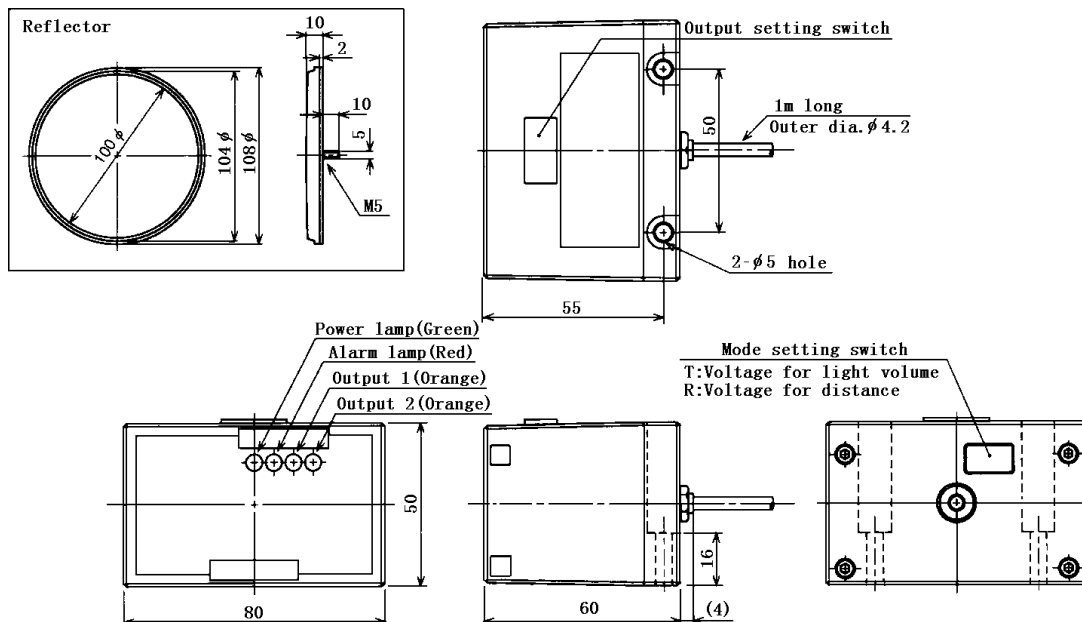


PHOTO SENSOR, LASER SENSOR, MICROWAVE SENSOR, COUNTER, AUTOMATIC DOOR



HOKUYO AUTOMATIC CO.,LTD.
 2-1-12 Sonezaki,Kita-ku,Osaka,Japan
 Tel(06)6362-6331 Fax(06)6365-8985
<http://www.hokuyo-aut.co.jp>
 E-mail:foreign-trade@hokuyo-aut.co.jp