

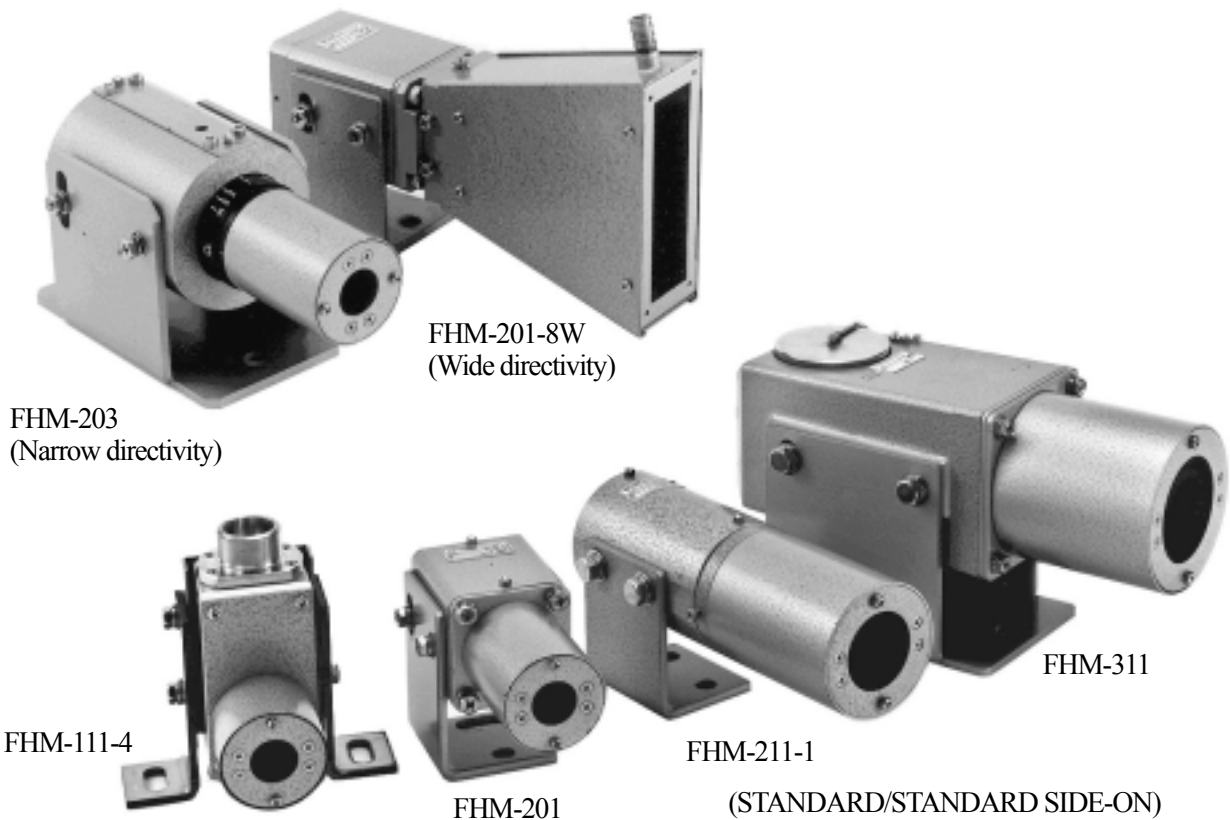
# NEW PRODUCTS

HOKUYO

SENSOR HEADS FOR FIBER TYPE CMD/HMD

# SENSOR HEADS

Wide Variety Suitable For Applications



\*Standard/Standard SIDE-ON(For HMD/CMD)

FHM-201, FHM-211-1 with normal directivity and SIDE-ON type FHM-111-4, FHM-221(Refer to external dimension on next page), that fiber and optical axis directions make a right angle for small located room, are available.

\*Narrow directivity(For HMD)

This head is able to detect accurately with focus adjustment function and rectangle directivity.

\*Wide directivity(For HMD)

This head is able to cover wide range directivity.

## Specifications

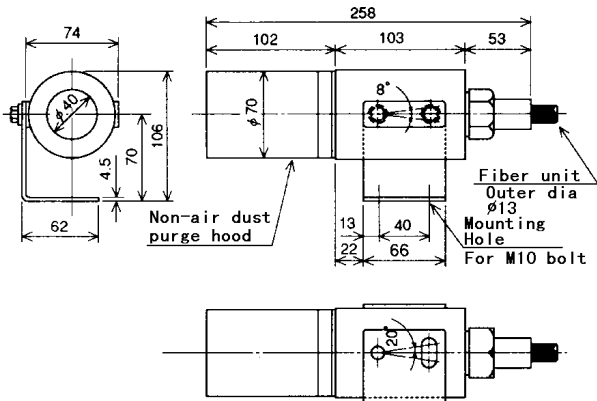
Applications	Model	Effective lens dia.	Expansion at 1m	Correction(In using as HMD)
Standard	FHM-201	22mm in dia.	40 mm in dia.	0dB
	FHM-211-1	40mm in dia.	20mm in dia.	0dB
	FHM-311	56mm in dia.	13.3mm in dia.	0dB
Standard SIDE-ON	FHM-111-4	22mm in dia.	20mm in dia.	-6dB
	FHM-221	40mm in dia.	20mm in Dia	-6dB
Narrow directivity	FHM-203	22mm in dia.	10×60	-4.6dB
Wide directivity	FHM-201-8W	22×33	40×500	-1.8dB

# SENSOR HEADS

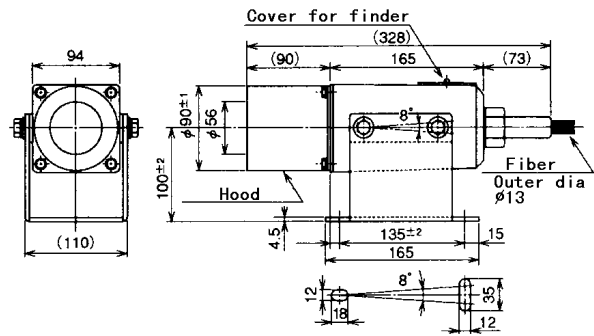
**HOKUYO**

## External dimension

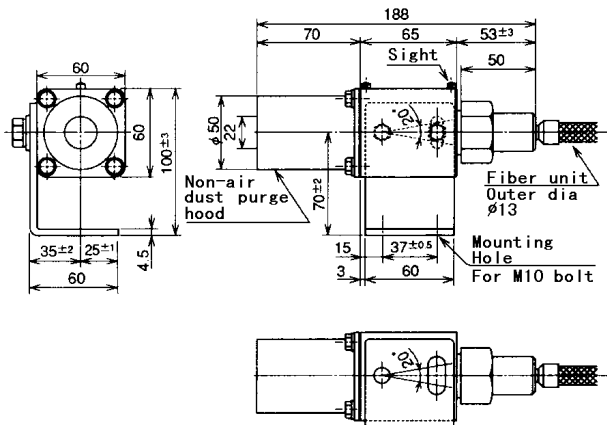
\*FHM-211-1



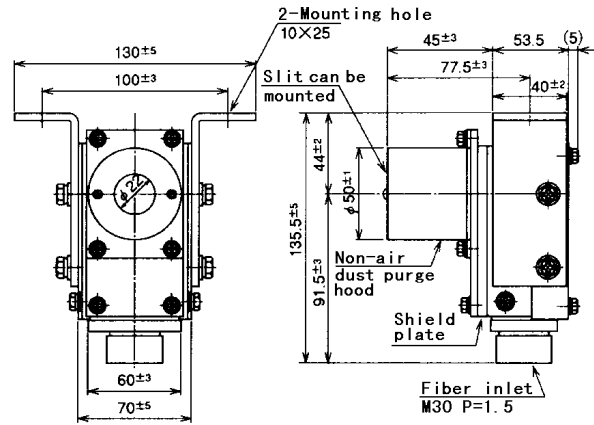
\*FHM-311



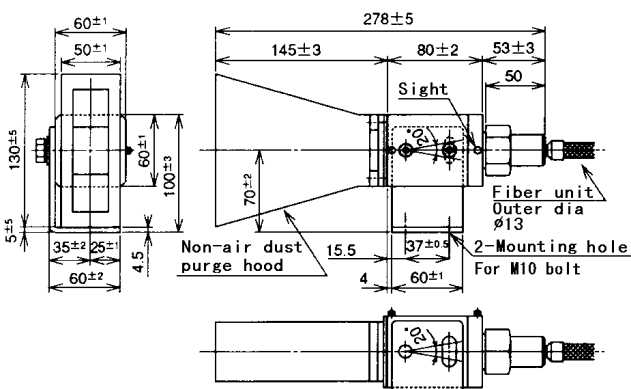
\*FHM-201



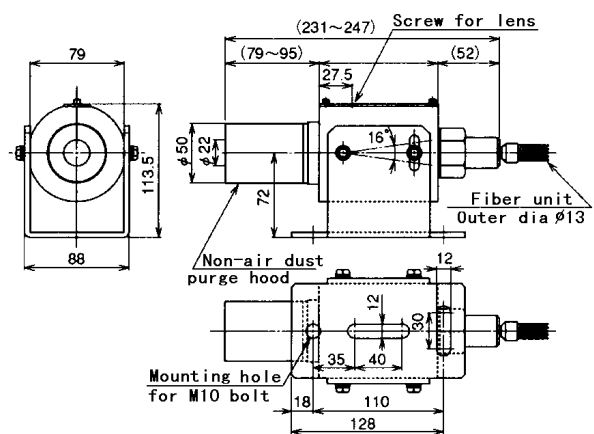
\*FHM-111-4



\*FHM-201-8W



\*FHM-203



**PHOTO SENSOR, LASER SENSOR, MICROWAVE SENSOR, COUNTER, AUTOMATIC DOOR**



**HOKUYO AUTOMATIC CO.,LTD.**  
 2-1-12 Sonezaki,Kita-ku,Osaka,Japan  
 Tel(06)6362-6331 Fax(06)6365-8985  
<http://www.hokuyo-aut.co.jp>  
 E-mail:foreign-trade@hokuyo-aut.co.jp