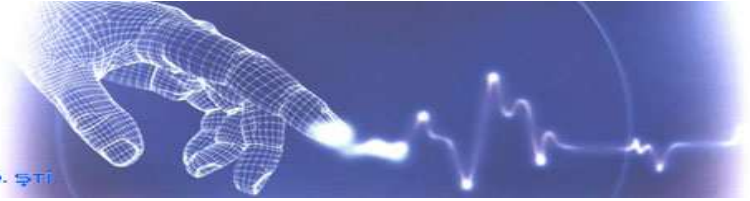




**İMAJ TEKNİK**

ELEKTRİK ELEKTRONİK MALZ. SAN. VE TİC. LTD. ŞTİ



## Data Sheet

## Cylinder Lock (CL)



mGard is the ultimate range of robust mechanical trapped key products. Trapped key technology offers purely mechanical access locks (removing the need for expensive wiring). mGard offers an extensive variety of modular interlocking solutions.

### description:

a robust radial disc tumbler lock, the building block of the Fortress range, offering in excess of 200,000 non-masterable combinations. A spring loaded stainless steel dustcover is available as an optional extra.

Combinations are determined by customer defined coding details supplied at the time of ordering, giving full control over the integrity of the interlock system.

A limited number of masterable locks are available to suit certain applications.

operation - the key is inserted and turned, turning the spindle projecting from the basic lock. (With mounting bracketry the spindle can operate switchgear etc.). The key is freed in the 12 o'clock position. Standard movement is 90 degrees clockwise and 45 and 65 degrees options are available on request.



### Options

- Right hand or Left hand
- Optional spindle dimensions
- Colour coding of locks and seals
- MLS - Full stainless steel lock version
- Stainless Steel Dustcover
- CLS - Full stainless steel lock version
- ML - Master series lock version
- Low profile key

\* Keys are manufactured in Full stainless steel and are ordered separately

[www.fortressinterlocks.com](http://www.fortressinterlocks.com)

pg 1 of 2

M\_DS\_CL\_E\_V2.0\_DEC05



## Data Sheet Cylinder Lock (CL)

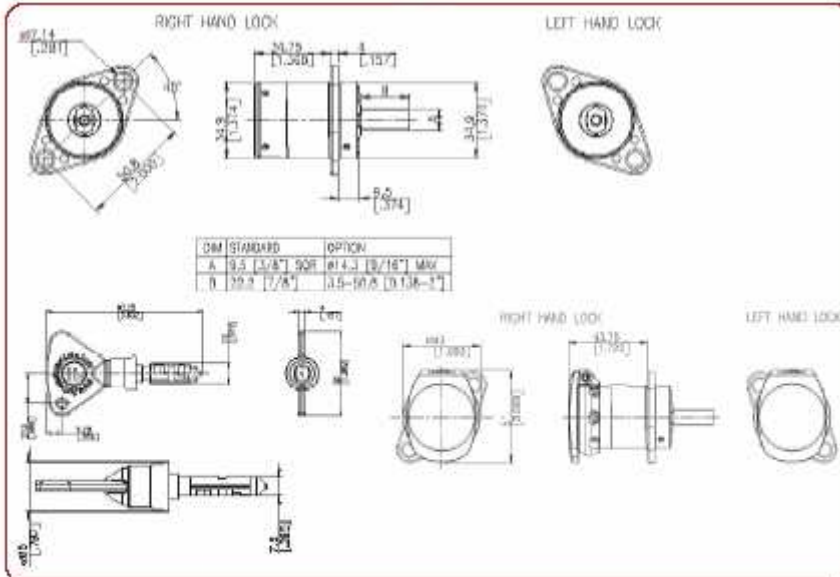


### Features

Ease of operation  
1,000,000 operations tested  
All contact surfaces made of stainless steel  
Over 200,000 lock combinations  
Suitable for high frequency applications  
Heavy Duty  
High Integrity  
Standard key cannot be mastered  
Wide temperature range - 40°C + 150°C  
Master series available

### Construction

Lock construction: Zinc alloy with a durable satin-chrome finish to the lock casing. The internal lock components are made from stainless steel. Standard spindle dimensions are 9.5mm (3/8") square x 22mm (7/8") long. Locks are 'handed', with either a left hand or right hand mounting bias.



[www.fortressinterlocks.com](http://www.fortressinterlocks.com)

İMA



İmaj Teknik Elektrik Elektronik San. ve Tic. Ltd. Şti.

EMEKYEMEZ MAH.TUTSAK SOK. NO: 16/13-14-15  
KARAKOY/İSTANBUL  
TURKEY

Telefon : +90 212 235 9535 / 36  
Fax : +90 212 235 9537

[www.imajteknik.com](http://www.imajteknik.com)  
[www.imajteknik.com.tr](http://www.imajteknik.com.tr)