

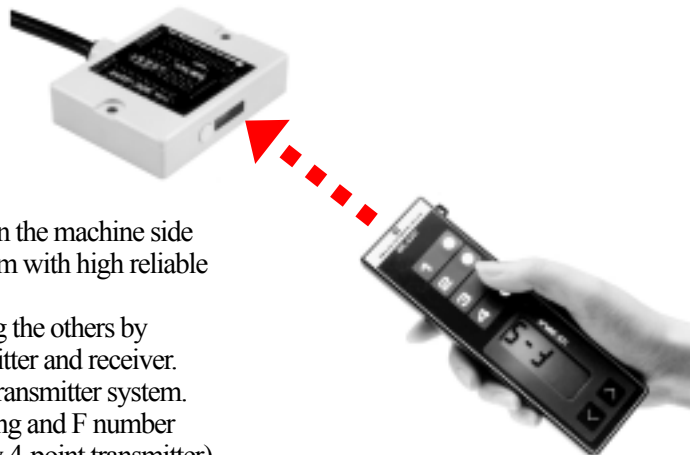
NEW PRODUCTS

HOKUYO

OPTICAL REMOTE CONTROLLER FOR FA INDUSTRY

BRC-G series

**HIGH RELIABILITY AGAINST
DISTURBANCE NOISE!**
**SUITABLE FOR SEVERAL REMOTE
CONTROL!**
**LONG DISTANCE TYPE, 20m IS ALSO
AVAILABLE!**



*Handy transmitter and thin, compact-sized receiver on the machine side will meet to various demands of remote control system with high reliable data transmission.

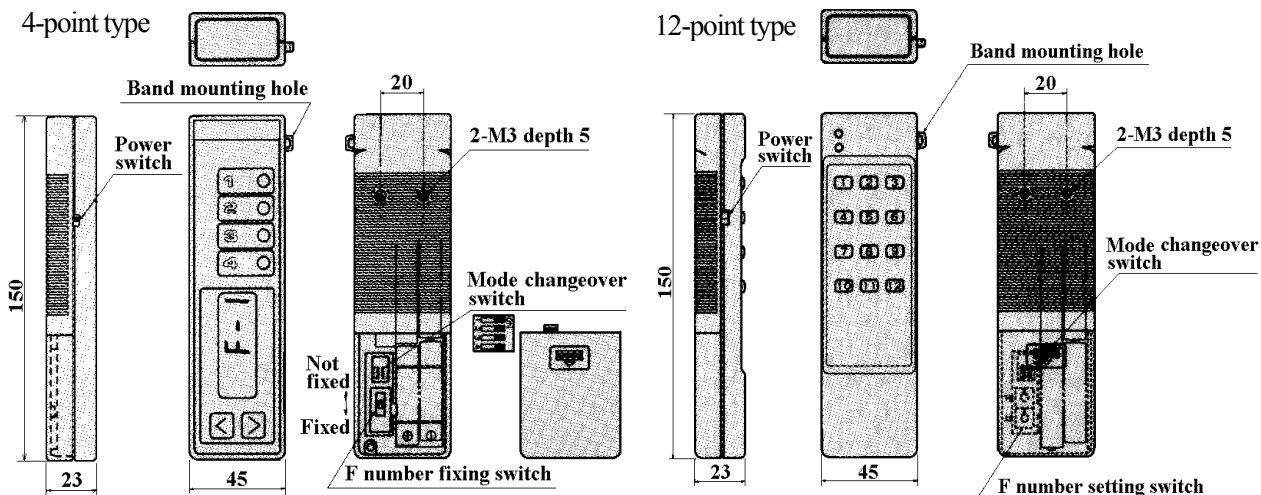
*Able to transmit signal to one specific receiver among the others by corresponding code(F number code) between transmitter and receiver. This make it possible to use several receivers in one transmitter system.

*It is easy to use because buzzer rings when transmitting and F number and battery check can be made by LCD display(Only 4-point transmitter).

Specifications(Transmitter)

| Type | 4-point | | 12-point | |
|------------------------|--|----------|---|----------|
| Model No. | BRC-G24T | BRC-G44T | BRC-G2BT | BRC-G4BT |
| Power source | Alkaline cell(1.5V 4 pcs) | | | |
| Light source | Infra-red LED | | | |
| Directional angle | 30 degrees(Full angle) | | | |
| Transmission distance | 10m | 20m | 10m | 20m |
| F number setting | Set by F number setting key | | Set by dip switch | |
| F number setting range | 9 points from F-1 to F-9 or 255 points from F001 to F255 (Changeover by mode switch) | | 85 points from 01 to 85 | |
| Fixing of F number | Available by F number fixing switch | | ---- | |
| F number display | LCD | | ---- | |
| Transmission method | Transmitted by transmission key(1 to 4) Double pressing is also available | | Transmitted by transmission key(1 to 12) Double pressing is also available | |
| Transmission check | Electronic buzzer(Ringing during transmitting) | | LED display(Lights-up during transmitting) | |
| Battery life display | LCD display(LOBAT, is display when lower) | | LED display(Lights-up when closer to life) | |
| Case | ABS resin(Handling part : Polyester film) | | | |
| Weight | Approx. 120g | | | |

External dimension

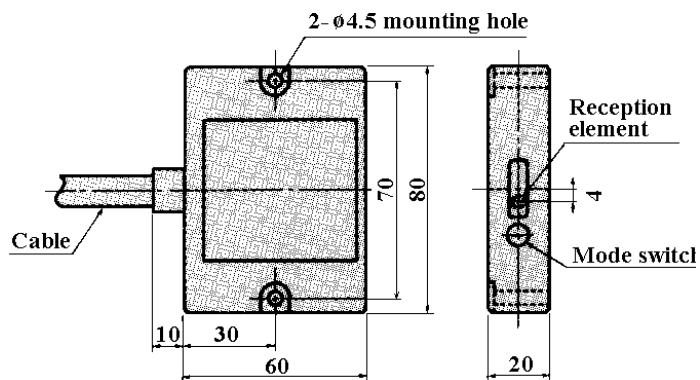


Specifications(Receiver)

| Type | 4-point | | 12-point | |
|-----------------------|--|----------|---|----------|
| Model No. | BRC-G2AR | BRC-H2AR | BRC-G2BR | BRC-H2BR |
| Direction | HEAD-ON | FRONT-ON | HEAD-ON | FRONT-ON |
| Power source | 24VDC(+20%, -10%, ripple 10% or less) | | | |
| Current consumption | 50mA or less | | | |
| Reception element | Photo-diode | | | |
| Directional angle | 50 degrees for vertical and 90 degrees for horizontal(Full angle) | | | |
| Reception method | FSK modulation, output is effective when reverse code corresponds | | | |
| F number registration | Set by transmitter | | | |
| Output | Data : 4 points, strobe : 1 point Photo-coupler isolation, open-collector | | Data : 12 points, strobe : 1 point Photo-coupler isolation, open-collector | |
| Output holding time | 100msec or more | | | |
| Display | Red LED : Data output, light-reception , F number write-in, power | | | |
| Connection | Cable with connector(2m long) | | | |
| Ambient illuminance | 10,000lux or less(Fluorescent lamp, mercury lamp) | | | |
| Ambient temperature | -10 to +50°C | | | |
| Ambient humidity | 45 to 85%RH | | | |
| Vibration resistance | Double amplitude 1.5mm, 10 to 33Hz, each 2 hour in X, Y and Z directions | | | |
| Impact resistance | 500m/s ² , each 10 time in X, Y and Z directions | | | |
| Protective structure | IP66(IEC standard) | | | |
| Case | ABS resin(Display part : acrylic resin) | | | |
| Weight | Approx. 240g(including 2m cable) | | | |

External dimension

HEAD-ON



FRONT-ON

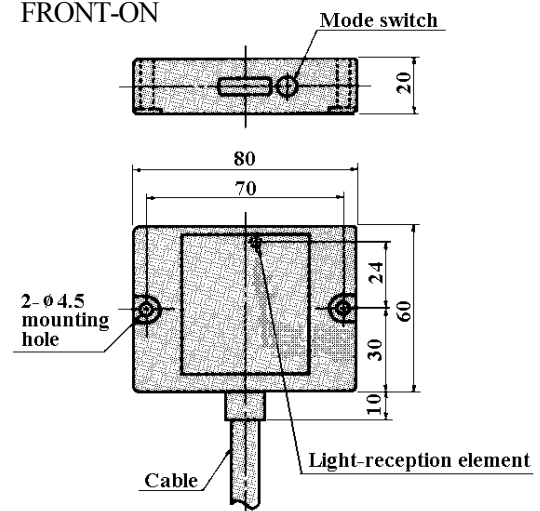


PHOTO SENSOR, LASER SENSOR, MICROWAVE SENSOR, COUNTER, AUTOMATIC DOOR



HOKUYO AUTOMATIC CO.,LTD.
 2-1-12 Sonezaki,Kita-ku,Osaka,Japan
 Tel(06)6362-6331 Fax(06)6365-8985
<http://www.hokuyo-aut.co.jp>
 E-mail:foreign-trade@hokuyo-aut.co.jp