

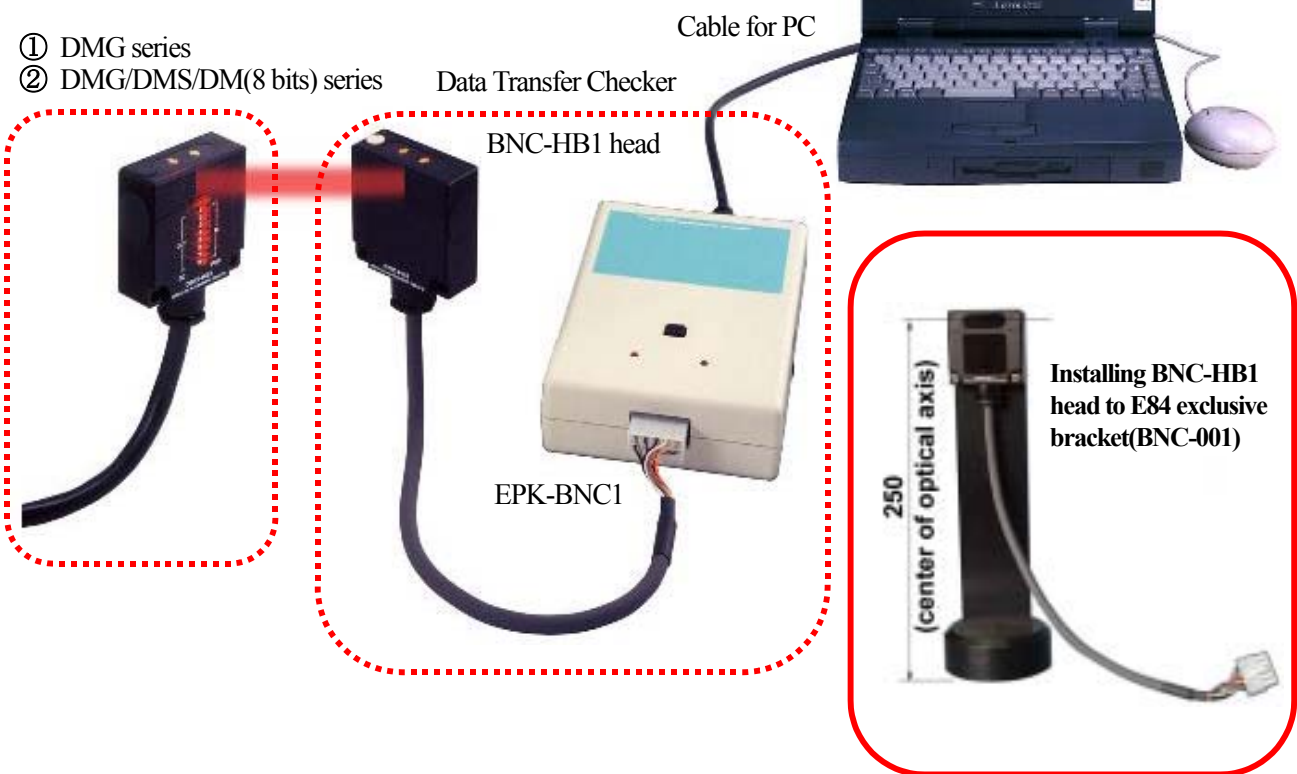
# NEW PRODUCTS

HOKUYO

DATA TRANSFER CHECKER

BNC-HB1

***DATA TRANSFER CHECKER CAN CHECK THE INTERLOCKING ON SEMI E84 BEFOREHAND!***



## General

Data transfer checker provides the following 2 kinds of application software(Hokuyo Data Flex SFOC and RIS).

### 1. Hokuyo Data Flex SFOC

When some troubles such as interlocking etc. happened, memorized data(Communication data) can be read out from DMG series and its data can be displayed on PC. Refer to the above ① about correspondent devices.

### 2. Hokuyo Data Flex RIS

Under automatic transportation system on semiconductor and LCD manufacturing facilities, it is possible to make data communication as imaginary UTV(AGV, RGV, OHT etc.) or fixed passive equipments on the interlocking system with parallel I/O between UTV and passive equipments. Refer to the above ② about correspondent devices.

## Structure

Data Transfer Checker(BNC-HB1) consists of the following items:-

- \* BNC-HB1 Head 1 pce
- \* EPK-BNC1 Power box 1 pce
- \* AC adaptor(Cable 2m) 1 pce
- \* Cable 300mm for BNC-HB1(for connection to PC) 1 pce
- \* BNC-HB1 Application software(SFOC/RIS) 1 pce

## Specifications

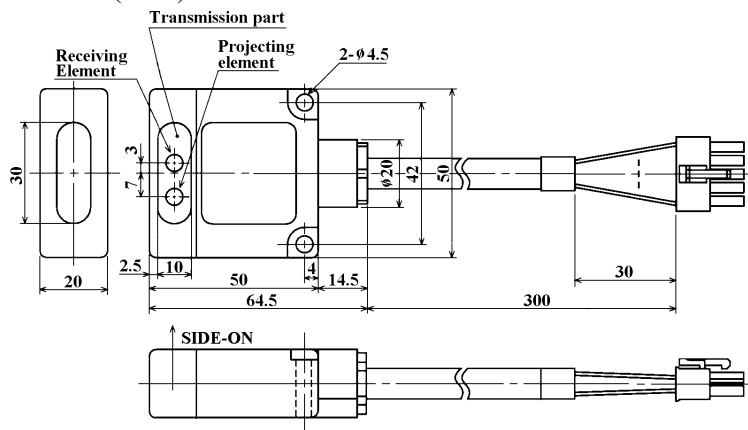
BNC-HB1 Head	Model No.	BNC-HB1(With cable 300mm)
	Direction	SIDE-ON
	Transmission distance	300mm
EPK-BNC1 Power box	Model No.	EPK-BNC1
	Power source	Built-in rechargeable battery(Charging from AC Adaptor)
	Battery life	Approx. 4 hours(When continuous use)
	Charging time	Approx. 16 hours
Cable for BNC-HB1		300mm EIA-574(RS-232C 9 pins connector)*1
BNC-HB1 Application software *2	Hokuyo Data Flex SFOC	Communication data(Logging data) is read out from DMG series
	Hokuyo Data Flex RIS	It is possible to make data communication as imaginary UTV(AGV, RGV, OHT etc.) or fixed passive equipments under automatic transportation system.

\*1 Cable length between BNC-HB1 Head and PC should be within 6m.

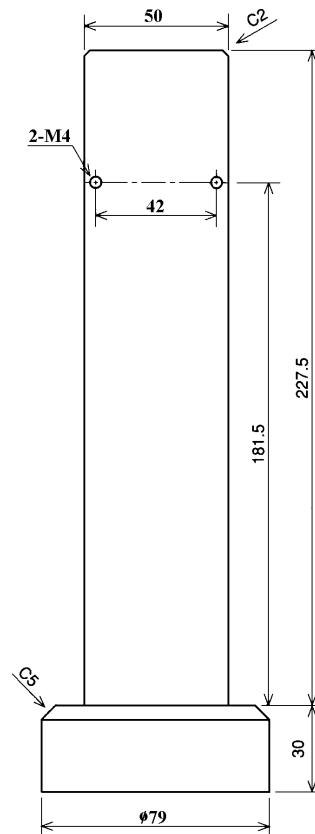
\*2 Ask about the details of specifications.

## External dimension

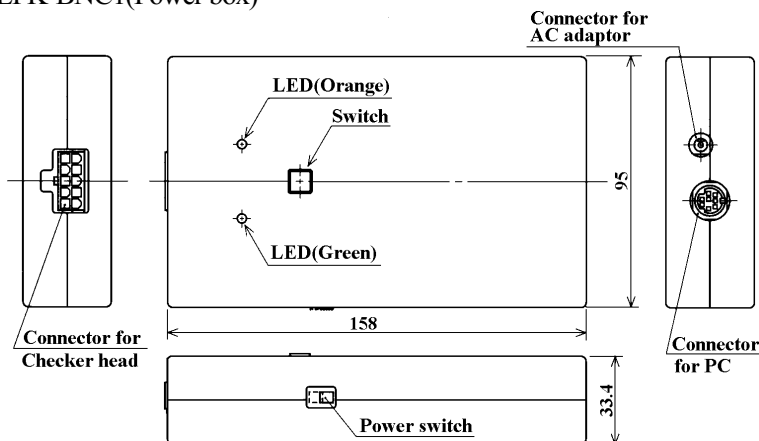
\*BNC-HB1(Head)



\*BNC-001(Bracket)



\*EPK-BNC1(Power box)



**PHOTO SENSOR, LASER SENSOR, MICROWAVE SENSOR, COUNTER, AUTOMATIC DOOR**



**HOKUYO AUTOMATIC CO.,LTD.**  
 2-1-12 Sonezaki, Kita-ku, Osaka, Japan  
 Tel(06)6362-6331 Fax(06)6365-8985  
<http://www.hokuyo-aut.co.jp>  
 E-mail:foreign-trade@hokuyo-aut.co.jp