



İMAJ TEKNİK
ELEKTRİK ELEKTRONİK MALZ. SAN. VE TİC. LTD. ŞTİ



SOCKETS

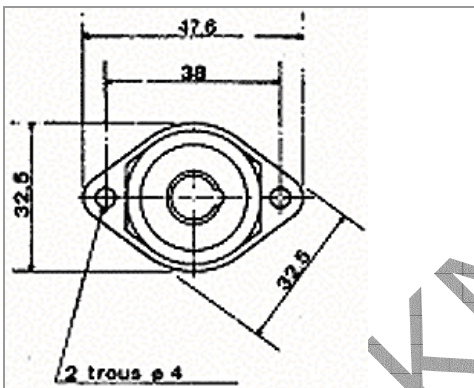
PAR à souder pour série 1200

TEC

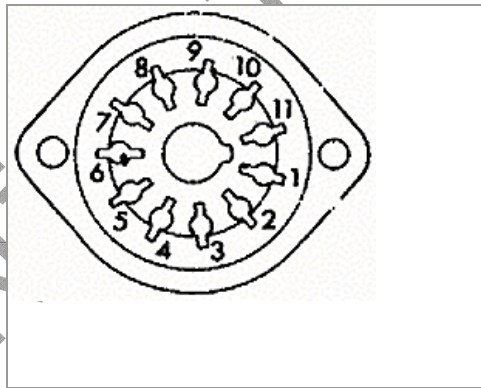
rear wiring socket to be soldered 9210-30



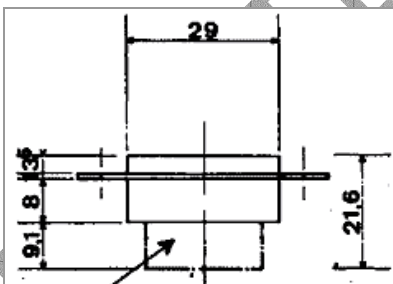
Dimensions



Connection



ASSEMBLY



11 broches à souder pour 3 inv.
11 pins for 3 CO contact

TECHNICAL FEATURES ▶

- * TEC numbering
- * Mounting on metal sheet (circular cut-out) with 2 screws.
- * Connection : to be soldered
- * Moulding material : black bakelite

VERSIONS ▶

9210-30 socket is a rear wiring socket to be soldered to relay 1210 with 3 CO contacts (see socket 9210-20 for relay 1210 with 2 CO contacts)

OPTIONS ▶

See detailed indication regarding withdrawal in the technical support pages of this site.

ACCESSORIES ▶

- * Hold down springs 6888ET1210



İmaj Teknik Elektrik Elektronik San. ve Tic. Ltd. Şti.
EMEKYEMEZ MAH.TUTSAK SOK. NO: 16/13-14-15
KARAKOY/İSTANBUL
TURKEY

Telefon : +90 212 235 9535 / 36 www.ımajteknik.com
Fax : +90 212 235 9537 www.ımajteknik.com.tr