



İMAJ TEKNİK
ELEKTRİK ELEKTRONİK MALZ. SAN. VE TİC. LTD. ŞTİ



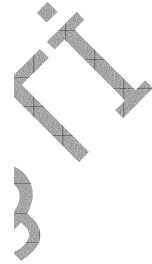
SOCKETS

PAR à souder pour série 1200

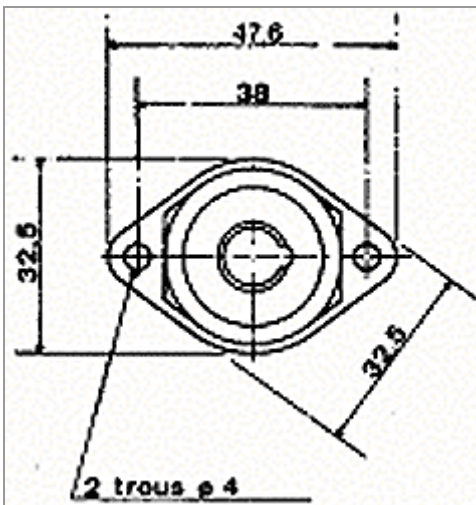


TEC

rear wiring socket to be soldered 9210-20



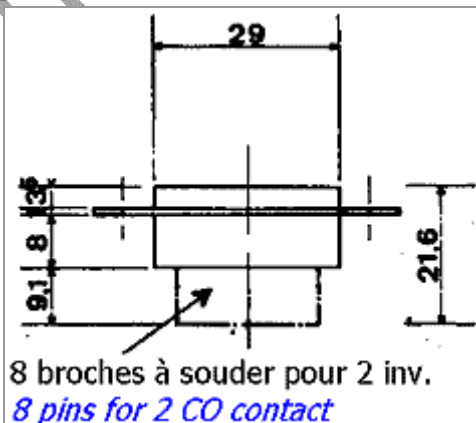
Dimensions



Connection



ASSEMBLY



TECHNICAL FEATURES ▶

- * TEC numbering
- * Mounting on metal sheet (circular cut out) with 2 screws.
- * Connection : to be soldered
- * Moulding material : black bakelite

VERSIONS ▶

9210-20 socket is rear wiring socket to be soldered for relay 1210 with 2 CO contacts (see socket 9210-30 for relay 1210 with 3 CO contacts)

OPTIONS ▶

See detailed indication regarding withdrawal in the technical support pages of this site.

ACCESSORIES ▶

- * Hold down springs 6888ET1210

	İmaj Teknik Elektrik Elektronik San. ve Tic. Ltd. Şti.
	EMEKYEMEZ MAH.TUTSAK SOK. NO: 16/13-14-15
	KARAKOY/İSTANBUL
	TURKEY
Telefon : +90 212 235 9535 / 36	www.imajteknik.com
Fax : +90 212 235 9537	www.imajteknik.com.tr